



AMG



THE ALL-NEW MERCEDES-AMG
A 45 S 4MATIC+.

REALLY LOOKS GOOD ON YOU.



The lines of the AMG A 45 S 4MATIC+ follow all follow one direction only: our design philosophy of Sensual Purity. Surfaces are even more puristic, details even more striking. Very neat, right?

MAY WE BE OF ASSISTANCE?

That's what our connectivity services are all about. Making life easier. Wirelessly, without the need for keys, the Mercedes-AMG A 45 S 4MATIC+ connects completely effortlessly to everything that is importance to you.





LET'S TALK ABOUT TRUST

Your Mercedes-AMG A 45 S 4MATIC+ can warn you of an impending collision, support you when braking and taking evasive action.



MERCEDES-AMG 2.0-LITER 4-CYLINDER PETROL ENGINE

Worlds most powerful 4 Cylinder Engine

The newly developed high-tech engine with a displacement of two litres and TwinScroll turbocharging is a performance champion. With 310 kW, AMG A 45 S 4MATIC+ the most powerful 4-cylinder engine in the world to be produced in series. AMG exhaust system - background noise from emotionally sporty to discreetly restrained, the driving program-dependent maps are controlled depending on the engine speed and load via an exhaust flap.

Silent Start - the vehicle always starts in quiet mode. The loud, sporty engine start can be set by pulling a steering wheel gearshift paddle during the start process.

310 KW (421HP) | 500 NM



AMG SPEEDSHIFT DCT 8G

Race Start Function.

The new AMG SPEEDSHIFT DCT 8G transmission includes the RACE START function. It contributes significantly to the breathtaking acceleration through lightning-fast gear changes without noticeable interruption in tractive power.

AMG PERFORMANCE 4MATIC+

Drift mode.



The new AMG Performance 4MATIC+ all-wheel drive with AMG TORQUE CONTROL is a highlight: it has two separately acting clutches on the rear axle, which distribute the power to each of the rear wheels individually in a fully variable and needs-based manner (depending on the driving program and driving situation). This results in incredibly agile handling, which is particularly evident in drift mode.

INSTANT YEAH!



Taking the lead right away: the strikingly sporty design makes the Mercedes-AMG A 45 S 4MATIC+ clearly distinguishable. The distinctive front apron, the AMG-specific radiator trim and the bonnet with power domes make the Mercedes-AMG A 45 S 4MATIC+ really stand out. The front wings, impressively reflect the abundance of driving enjoyment on offer.

MULTIBEAM LED

For your optimum visibility: The adaptive MULTIBEAM LED headlamps with individually controllable LEDs react to the traffic situation. Partial high beam masks out other road users without dazzling them. And the cornering and active light functions illuminate the field of vision optimally so that you can detect hazards sooner.

AMG FRONT APRON AND POWER DOMES

The distinctive front apron, the AMG-specific radiator trim and the bonnet with the striking power domes clearly distinguish the Mercedes-AMG A 45 S 4MATIC+.





DYNAMIC REAR VIEW

Eye-catching features at the sporty, wide rear end include the two twin tailpipe trims measuring 90 mm in diameter. And the distinctive diffuser look with four vertical fins. The striking design is completed by the AMG spoiler lip on the roof spoiler finished in the body colour.

RED BRAKE CALIPERS WITH AMG LETTERING

Optional 48.3 cm (19-inch) cross-spoke forged wheels and red-painted brake callipers round off the powerful package. After all, the power of the newly developed AMG 4-cylinder turbocharged engine needs to be planted onto the road as effectively as possible.



WINGS

Another of the clear distinguishing features: the wide front track with flared wings. The "TURBO 4MATIC+" lettering here catches the eye right away and leaves no doubt: this is a Mercedes-AMG A 45 S 4MATIC+.

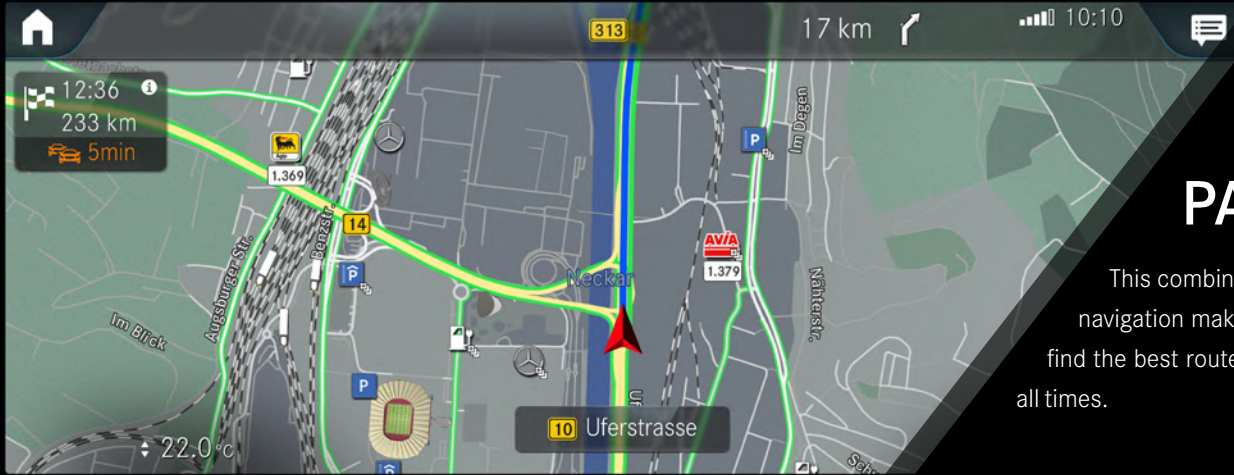


MEDIA DISPLAY

The high-resolution media display networks you with the car in a large format (10.25 inches). It is touch-sensitive in responding to your input. Symbols make operation easier and improve concentration. Highly appealing combination: when the media display is combined with the larger instrument display, the result is a widescreen cockpit.

ALL-DIGITAL INSTRUMENT DISPLAY

You experience the entire range of digital display possibilities. The large, high-resolution 10.25-inch display is individually configured by you – for example in the classic form, with the speedometer on the left and the rev counter on the right. Visually impressive and easy to read: travel and driving assistance information is superimposed using the full display area.



NAVIGATION CONNECTIVITY PACKAGE

This combination of Mercedes me connect services and hard-disc navigation makes your everyday life easier. It allows you always to find the best route while ensuring that you are ideally informed at all times.

SMARTPHONE INTEGRATION

Smartphone integration links the mobile phone with the media system via Apple® CarPlay® or Android Auto®. This gives you convenient access to the most important apps on your smartphone. You can also use apps from third-party providers such as Spotify quickly and easily.





AMG DRIVER'S PACKAGE

AMG Driver's Package - by extending the top speed limit to 270 km / h, the AMG Driver's Package offers an even sportier driving experience.

AMG TRACK PACE

The AMG TRACK PACE virtual race engineer is included as optional equipment in the Mercedes-AMG A-Class with hard disk navigation and Widescreen Cockpit. Also available are the AMG menu, G-meter, Race Timer and engine data.

AMG COCKPIT

The Mercedes-AMG A 45 models are as sporty on the inside as they are on the outside. The MBUX multimedia system with instrument cluster, featuring three different display designs including Supersport mode with a large rev counter, is made for performance. The optionally available AMG Performance steering wheel complements this perfectly.



AMG DYNAMIC SELECT

With the AMG DYNAMIC SELECT drive programs, you have your personal racing engineer on board. Depending on the situation or mood, you can intensify the sporty character of your vehicle. In addition to the predefined setups, there are also individually selectable combinations - such as a dynamically designed drive with a comfortable steering feel.





AMG PERFORMANCE STEERING WHEEL IN NAPPA LEATHER / DINAMICA MICROFIBRE

In this AMG steering wheel, nappa leather comes together with grippy DINAMICA microfibre – for perfect grip and precise control. The hallmark AMG flattened shape has been adopted from motorsport and underlines the sportiness of the cockpit. As an option the ergonomically positioned Touch Control buttons provide intuitive user-friendliness and are conducive to focussed driving.

- ✓ Sporty 3-spoke design with flattened bottom section
- ✓ Combined version in nappa leather with microfibre in the grip area
- ✓ 12-o'clock marking and stitching in black
- ✓ Steering wheel spokes and trim in silver chrome with "AMG" lettering
- ✓ Galvanised steering wheel shift paddles: allow manual gear shifts and support a sporty driving style
- ✓ Touch Control buttons
 - Left: control of the instrument cluster, cruise control and limiter, plus Active Distance Assist DISTRONIC
 - Right: control of central multimedia system functions (e.g. audio sound volume and title selection, telephony and navigation)

BURMESTER® SURROUND SOUND SYSTEM

Experience more performance and exclusivity with the legendary Burmester sound. The high-performance speakers develop a first-class surround sound. You can specifically optimize this for the front and rear seats to intensify the listening experience. A level of quality that is also visible, thanks to the high-quality Burmester lettering.



AMG REAL PERFORMANCE SOUND

Your Mercedes-AMG already sounds incomparably passionate ex factory. With the AMG Real Performance Sound, the sound is even more emotional and you can determine how the turbo engine sounds in the interior. At the press of a button it can be adjusted between a subtle, sporty sound (BALANCED) or emotional, motorsport sound (POWERFUL).

TOUCHPAD AND DOUBLE CUP HOLDER

Using the touchpad, you can operate the display of the infotainment system as you would on a smartphone. Shift or enlarge the content quite simply with single gestures. Each input is confirmed with haptic feedback. The touchpad recognizes your handwriting should you wish to enter addresses or phone numbers. Direct access to key functions: DYNAMIC SELECT drive programs, vehicle functions, navigation or telephony. Also, you can always have a refreshing drink within reach. This is made possible by the double cup holder in the front section of the centre console. You can safely deposit two bottles or mugs in it. And if you remove the double cup holder, you add a large stowage tray to the interior.

WIRELESS CHARGING SYSTEM

Driving time becomes charging time - just drop your smartphone into its allotted place in the oddments tray for wireless charging. Irrespective of the model and brand, compatible smartphones are charged wirelessly.

STOWAGE COMPARTMENT IN CENTRE CONSOLE WITH RETRACTABLE COVER

The high-resolution and touch-sensitive media display networks you with the car in a large format of 10.25 inches screen. Symbols make operation easier and improve concentration.

When the media display is combined with the larger instrument display, the result is a Widescreen Cockpit.



THERMOTRONIC AUTOMATIC CLIMATE CONTROL

The THERMOTRONIC controls the individual temperature in two zones. You and your front passenger can thus set your preferred climate independently of one another. And you never have to readjust, because the sensitive sensors even register changes in conditions, such as sunlight.

AMBIENT LIGHTING IN 64 COLORS

Stage the interior according to your personal preferences or current mood. Fascinating color worlds emerge from the 64 colors of the ambient lighting, for example in the illuminated ventilation nozzles, doors or the instrument panel.





POWER FRONT RIGHT SEAT WITH MEMORY FUNCTION

The Memory function stores the ideal seating position for your front passenger. Up to three people can therefore immediately access their appropriate settings at the press of a button – which makes switching seats both uncomplicated and convenient. As part of this your front passenger can very simply readjust the seat electrically and steplessly.

DRIVER'S SEAT, ELECTRICALLY ADJUSTABLE WITH MEMORY FUNCTION

With the Memory function, you can store and conveniently select up to 3 different seat positions. As part of this you can very simply readjust the seat electrically and steplessly. If you have created a user profile, you must activate this on the central display in order to access your personal settings.

AMG FLOOR MATS

The elegant, black floor mats with AMG lettering blend harmoniously into the interior design, and effectively protect the footwells against soiling. When needed, you can very rapidly remove, vacuum clean or wash the AMG floor mats.

ILLUMINATED AMG DOOR SILL PANELS WITH “AMG” LETTERING

Even getting in and out becomes an experience in itself. As part of this, the high-quality stainless-steel sill panels are illuminated with striking “AMG” lettering. This shows that you value sporty luxury.





KEYLESS-GO

Your KEYLESS-GO vehicle key can stay in your pocket, you don't have to pick it up. Because thanks to the stored access and driving authorization, the vehicle recognizes its owner. Grasp the door handle, open it, get in, drive off - KEYLESS-GO is always a comfort experience.

AMG VEHICLE KEY





The new AMG A 45 S 4MATIC+ is a thoughtful companion through your journey with its Fit & Healthy features; they understand, motivate and guide to keep you in the prime of your health while driving.

Ambient lighting with 64 colours | Cruise Control | AMG DYNAMIC SELECT | AMG suspension with specific spring/damper elements | THERMOTRONIC automatic climate control and integral fine particulate activated charcoal filter | Electrically adjustable seats with Memory function and 4-way Lumbar support

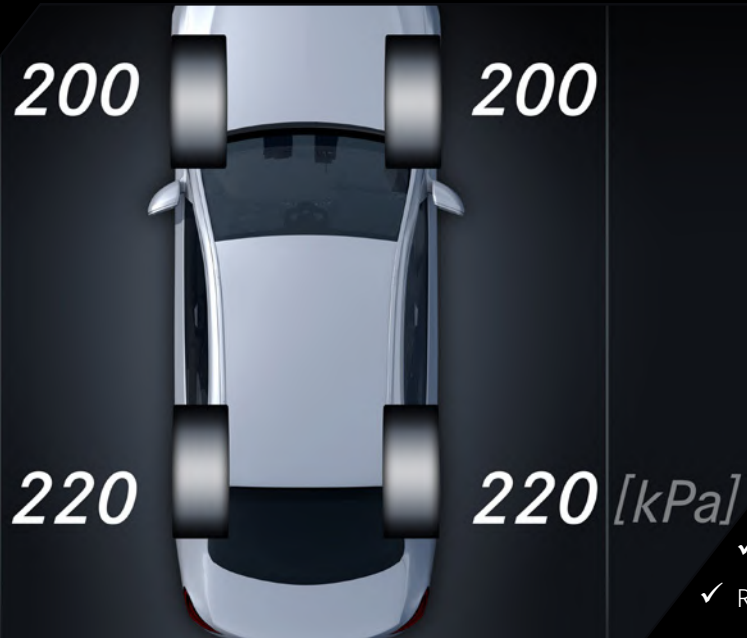
PARKING PACKAGE WITH REVERSING CAMERA

With this package you will master even tight parking spaces effortlessly. Convenient: Active Parking Assist with PARKTRONIC searches for a suitable parking space and then helps you to park in it. Peace of mind is also the motto for the reversing camera, with which expensive body damage can be avoided thanks to the good overview to the rear.

ACTIVE BONNET

The active bonnet system minimizes pedestrian injuries by lifting the rear edge of the hood when you are involved in an accident. Raising the hood creates additional space that can serve as a cushion between the hood and the engine improving pedestrian protection.





TYRE PRESSURE MONITORING SYSTEM

The system monitors the tyre pressure for you and provides you with a warning in the event of a drop in pressure. The system provides you with stepped display messages, respectively:

- ✓ Correct tyre pressure
- ✓ Check tyres
- ✓ Warning - defective tyres
- ✓ Tyres overheating
- ✓ Reduce speed

TIREFIT

Your rapid temporary measure in the event of less significant tyre damage. Damage caused by driving over nails or glass fragments can be sealed by means of the sealant blown in via the air compressor. As a result, you can continue to drive to the nearest workshop at up to 80 km/h.



THE MERCEDES-AMG A 45 S 4MATIC+ PERSONALIZATIONS.





AMG EXTERIOR SILVER CHROME PACKAGE

Complete individuality: with the AMG Exterior Silver Chrome package you can enhance the exclusive character of your AMG vehicle even further. Front splitter plus inserts in the side sill panels are finished in silver chrome.

AMG PERFORMANCE SEATS

With maximum sportiness in terms their seating position, the AMG Performance seats lay the foundations for optimum handling poise and assurance. The strongly contoured seat shape with integral head restraints and AMG badge combines ideal lateral support when adopting a sporty driving style with a particularly dynamic appearance.



AMG PERFORMANCE SEAT PACKAGE ADVANCED

▶ The AMG Performance seats for driver and front passenger provide you with ideal lateral support when undertaking particularly dynamic driving manoeuvres.

You can set your own perfect level of lateral stability via the multicontour seat function and adjust the precise seating position electrically. Soothing warmth comes courtesy of the integral seat heating.

- ✓ AMG Performance seats (555)
- ✓ Multicontour Seat package (409) without massage function
- ✓ Seat heating for driver and front passenger (873)
- ✓ Electrically adjustable driver's seat with memory function (275)
- ✓ Electrically adjustable front passenger seat with memory function (242)
- ✓ Upholstery in two-tone ARTICO man-made leather or ARTICO man-made leather / DINAMICA AMG microfibre (depending on the model)

HEAD-UP DISPLAY

The best prospects for sporty driving fun and a confident driving experience: the head-up display transforms your windshield into a fascinating digital cockpit. This means that you always have important information at a glance. Your full attention belongs to the road and what is happening in front of you.



ENERGIZING PACKAGE

The ENERGIZING package is a new feature – it offers you comfort at the highest level for all the senses. For this, premium items of equipment featuring innovative intelligence are bundled together. The exciting result: your Mercedes can vitalise you in a targeted manner. For prolonged alertness at the wheel and a very pleasant drive.

Included ENERGIZING comfort programmes:

- Refresh
- Vitality
- Training: video instructions, e.g. to loosen up the muscles (only available when stationary)
- Hints: 3-minute audio information tips for sustained promotion of your health and day-to-day well-being, for the head, shoulders, torso, lower back and pelvic areas of the body

ENERGIZING COACH:

- Front seat heating
- Ambient lighting with program-specific lighting moods





PARKING PACKAGE WITH 360-DEGREE CAMERA

Park with peace of mind. The duo of Active Parking Assist and 360° camera helps you when looking for a parking space as well as when entering and leaving a parking space and manoeuvring. The all-round view thanks to the 360° camera including a virtual bird's-eye view is particularly impressive.

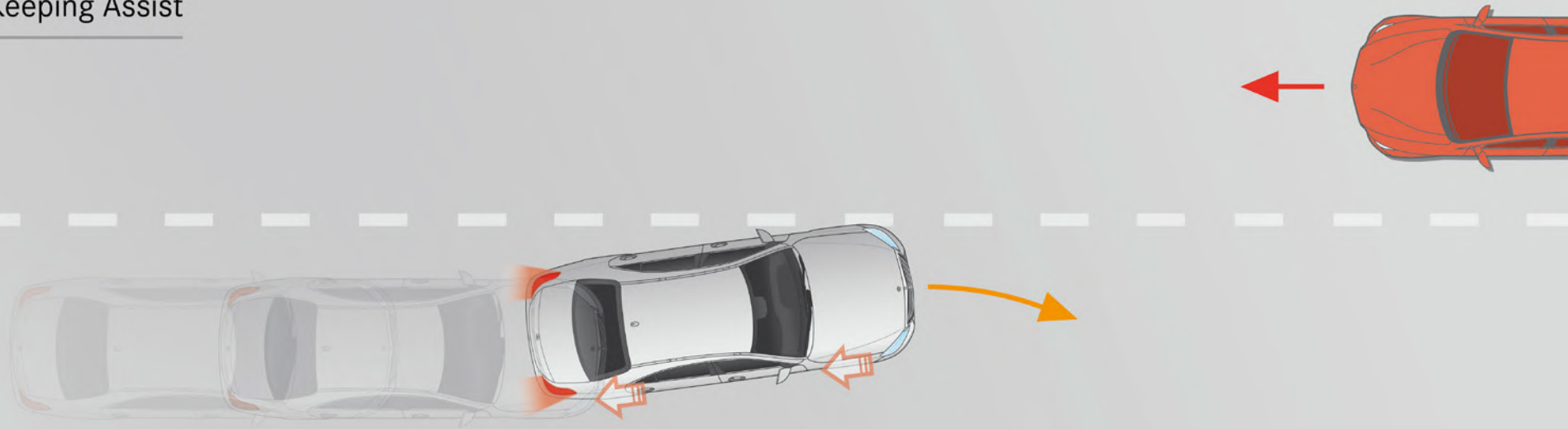
BLIND SPOT ASSIST

The Blind Spot Assist has an overview of everything for you during lane changes and can detect objects in the car's blind spot. This can prevent collisions, for example on multi-lane city streets or on the motorway.

While the car is at a standstill for a further three minutes: if the assistant establishes that there are bicycles or pedestrians in the danger zone it issues visual and acoustic warnings.



Active Lane Keeping Assist



ACTIVE LANE KEEPING ASSIST

If you cross a broken or continuous line unintentionally, the system can warn you by making the steering wheel vibrate. With a continuous line, or if the lane behind a broken line has been identified as occupied, the assistance system can intervene further with braking on one side of the vehicle.

ALLOY

48.3 cm (19-inch) AMG cross-spoke forged wheels, painted in matt black with high-sheen rim flange



PAINTWORK



Night Black



Sun Yellow



Denim Blue



Mountain Grey



Polar White



Cosmos Black



Iridium Silver



designo Mountain Grey Magno



designo Patagonia Red Metallic

UPHOLSTERY AND TRIM



Black with contrasting topstitching and segment band in yellow



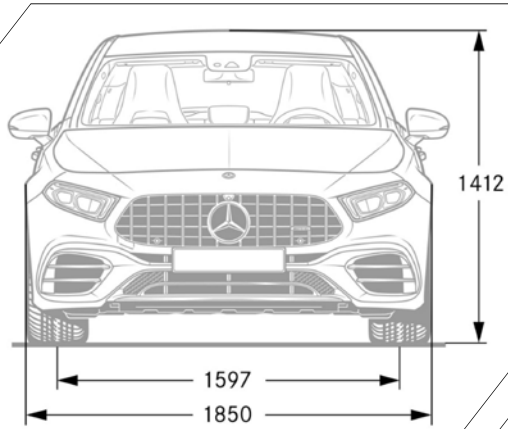
Light longitudinal-grain aluminium trim

Technical Specifications

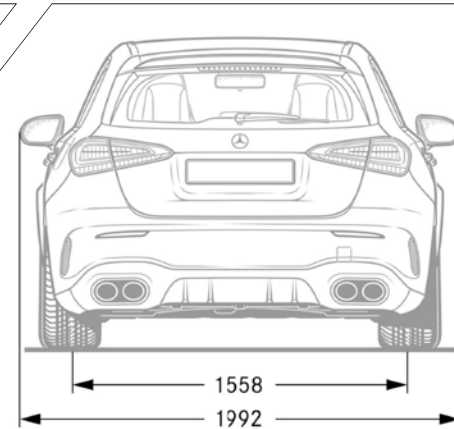
	Mercedes-AMG A 45 S 4MATIC+
Total displacement (cc)	1991
Arrangement of cylinders/No.	L4
Transmission	AMG SPEEDSHIFT DCT 8G
Rated output (kW [HP] @ rpm)	310 [421] @ 6750 - 6750
Rated torque (Nm @ rpm)	500 @ 5000 - 5250
Acceleration 0-100 km/h (s)	3.9
Top Speed (km/h)	270
Fuel Tank capacity (l)	51 liters

Dimensional Drawings

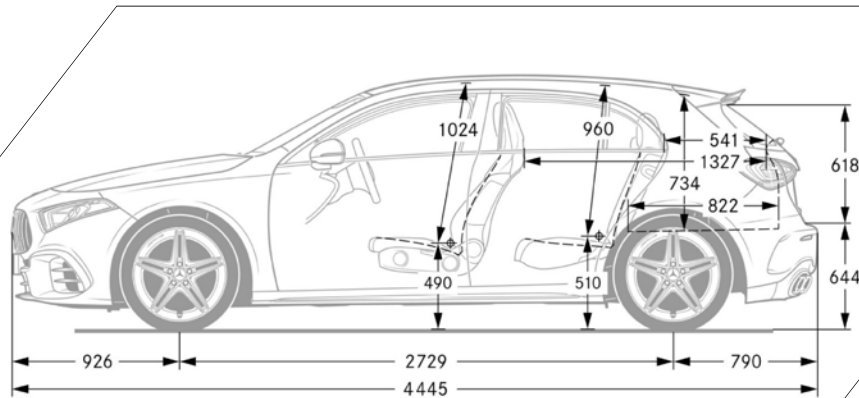
Front



Rear



Side



Mercedes-Benz India Private Limited: E-3, MIDC Chakan - Phase III, Chakan Industrial Area, Kuruli & Nighoje, Tal: Khed, Pune - 410 501 (India)
Toll free No.: 0008000501888. e-mail: cs.ind@cac.mercedes-benz.com, **website: www.mercedes-benz.co.in**

Please note: This brochure is intended for general information, description and illustration of the Product including optional functions and equipment and may not be specific to a Product since specification of a product may change from time to time. Optional features, functions and equipment etc. may not be present in the Standard or Variant Product or Special Edition Product. Further, Standard specifications of a product may also vary from time to time. Colours may differ from those shown in pictures in the brochure. Mercedes-Benz India reserves the right to make changes without prior notice, in design, colours, materials, components, equipment, specifications, features, functions, make and models etc. The information given in this brochure shall be regarded as accurate at the time of launch and may vary thereafter due to any developments or any other reason. Interested customers should reach out to the Authorised Franchise Partner for further information on the exact specifications, features of the product.

Images shown are for representation purposes only. Some of the vehicles in the Brochure are left hand drive wheel. However, Mercedes-Benz India only manufactures and sells vehicles as per the applicable motor vehicle regulations in India. All vehicles sold by Mercedes-Benz Authorized Franchise Partners shall be with right hand drive wheels only.

All title, ownership rights and intellectual property rights in and relating to this brochure/magazine or publication material or any copies thereof including but not limited to copyright, logos, names, trademarks, service marks, design, text, images, links, concepts and themes are owned by Daimler AG and/or its subsidiaries collectively or used under authorised license by the Daimler AG. Any reproduction, transmission, publication, performance, broadcast, alteration, license, creation of derivative works or other use in whole or in part in any manner without the prior written consent of Mercedes-Benz India Pvt. Ltd is strictly prohibited.

Please note that certain services are offered free of cost for a period of three (03) years and may be chargeable at the expiry of three (03) years from the date of activation of such services. If you wish to continue using those services, you may renew the same through Mercedes Me Store (as and when it is available). Please get in touch with your preferred Franchise Partner for more details.

Mercedes-Benz cars: The Mercedes-AMG A 45 S 4MATIC+ meets Bharat Stage VI equivalent emission norms.

CIN - U34102PN1994PTC083160