

The new Mercedes-Benz C-Class



Mercedes-Benz







Welcome to the comfort zone.





The interior:
the expression of progressive comfort.





Climb in. Breathe out.



The safety:
reassuringly Mercedes-Benz.



Mercedes-Benz C-Class

Engine



Diesel Engine with ISG Technology

C 220d and C 300d - OM654M

First diesel engine to have the integrated starter alternator (ISG) from Mercedes-Benz India. The 4-cylinder diesel engines with 48 V on-board electrical system deliver a great deal but need very little. Thanks to the integrated starter-alternator with Boost function as well as improved injection and turbocharging, it has been possible to increase output and torque even further. Significantly less noise and vibrations bring the level of refinement to that of petrol engines. NANOSLIDE® helps with being the ideal lubrication, reduces friction and maximizes wear resistance. Thanks to extremely hard cylinder contact faces with minuscule pores for oil absorption. The rated output of C 220d is 147 kW and C 300d is 195 kW.

Petrol Engine with ISG Technology

C 200 - M254

Tremendous pulling power even at low engine speeds – this is what characterises this advanced 4-cylinder petrol engine with 48-volt on-board electrical system. This gives you extra power boost and recuperation when required. This supplies, among other things, the integrated starter alternator, which is able to deliver additional torque of up to 200 Nm. Despite its temperament, the engine is fuel-efficient, low on emissions and has pleasantly smooth running characteristics. The CONICSHAPE honing of the cylinder barrels, in which the cylinder barrel widens towards the bottom in the shape of a trumpet, thereby reduces friction for less wear and lower consumption. The aluminum crankcase with cylinder barrel featuring NANOSLIDE technology for a friction-optimized cylinder contact surface, is very wear-resistant and so thin that it enables optimum heat transfer.



9G-TRONIC

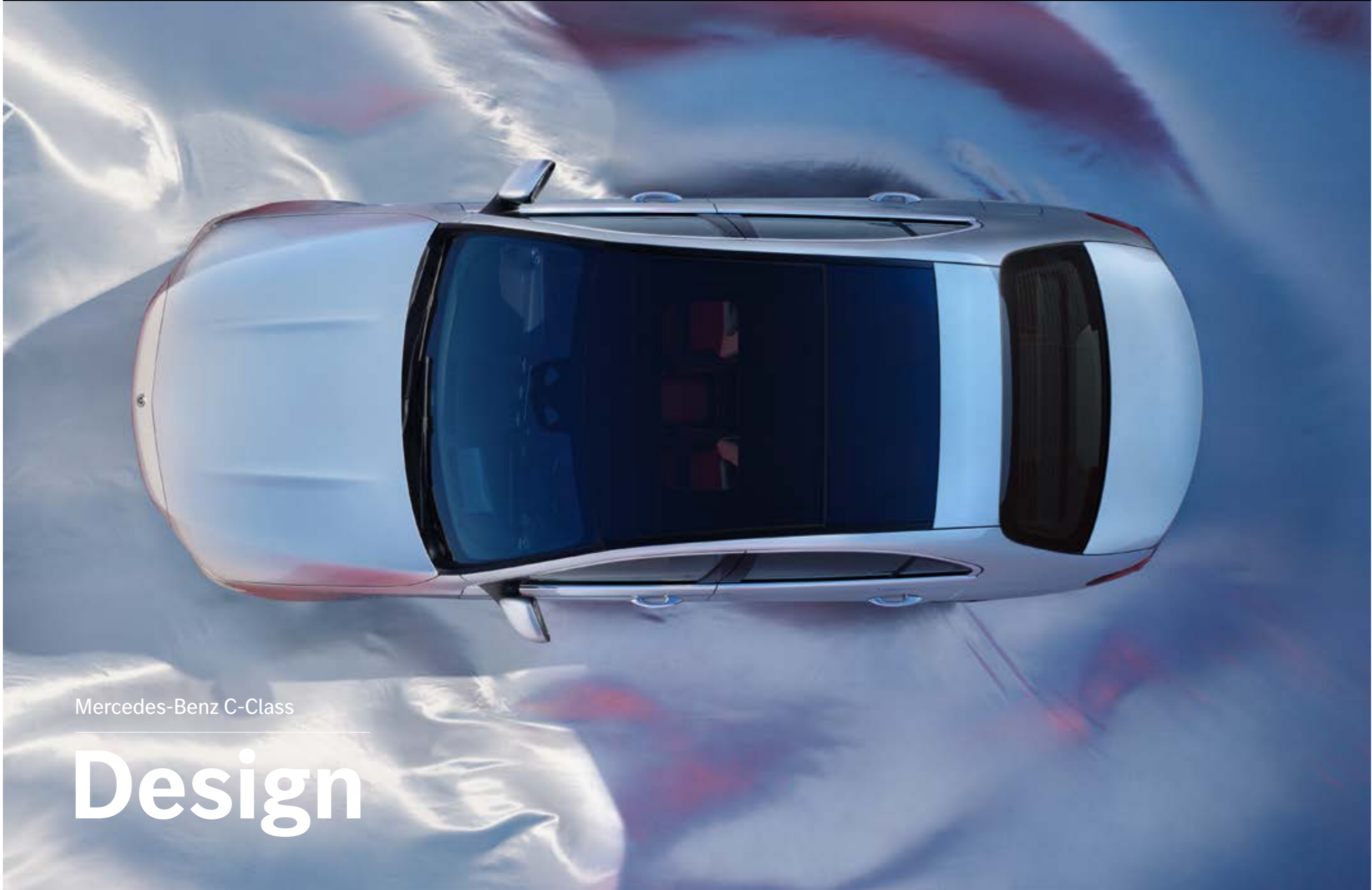
When you select the Comfort and ECO drive programs via DYNAMIC SELECT, 9G-TRONIC shifts through the nine gears for you smoothly and efficiently, thus providing optimum ride comfort. In addition, the transmission is also truly sporty: at the press of a button you can experience fast, sporty gear changes while nevertheless frequently driving in the optimum engine speed range. As such you can enjoy even more driving pleasure in Sport mode as a result of correspondingly better performance.





Comfort suspension

The comfort suspension with selective damping system combines well-balanced ride comfort with excellent handling stability. Thanks to the passive damping system you can enjoy a superior driving experience on any road surface: Ride characteristics, damping effect and stabilisation are continually and automatically adjusted to the current road conditions.



Mercedes-Benz C-Class

Design

AVANTGARDE exterior

(Available with C 200 and C 220d)

With the AVANTGARDE Exterior, you can further enhance the individuality and sportiness of your vehicle, and show clearly that you attach importance to style and high quality. The interplay of the design features results in an extraordinarily expressive vehicle.

- Radiator grille with integral Mercedes star and a chromed louvre, surround of the radiator grille in chrome
- 43.2 cm (17 inch) 5-spoke light-alloy wheels, painted high-gloss black with high-sheen finish
- Dynamic front bumper with centrally positioned trim element in mirror chrome and air inlets with diamond-pattern mesh in grained black
- Rear bumper painted in vehicle colour with centrally positioned trim (wing) in mirror chrome
- Beltline trim strips in polished aluminium
- Side window surrounds in polished aluminium
- Trim on the B-pillars in high-gloss black
- Bar on the rear side windows in high-gloss black
- Side sill panels painted in vehicle colour





AMG Line exterior (Available with C 300d)

The expressive bodystyling of the AMG Line lends the exterior of the C-Class a sporty, exclusive touch. As such you can make a clear statement for powerful design.

- AMG bodystyling consisting of AMG front apron with sporty air intakes and chrome trim element, diffuser-look AMG rear apron with insert in black plus AMG side sill panels
- Radiator grille with Mercedes-Benz pattern and integral Mercedes star as well as louvre in matt iridium silver with chrome insert
- 45.7 cm (18-inch) AMG 5-spoke light-alloy wheels with a high-sheen finish
- Exhaust system with two visible tailpipe trim elements integrated into the bumper

Night package (Available with C 300d)

The Night Package adds attractive features: many exterior elements are finished in black. They underscore the sporty character and special individuality of your vehicle. And as such you can demonstrate your sense of expressive design and exclusive sportiness.

- Radiator grille:
 - In conj. with AMG Line Exterior: radiator grille with Mercedes-Benz pattern with pins in high-gloss black
- Front apron:
 - In conj. with AMG Line Exterior: AMG front apron with trim (wing) in high-gloss black
- Rear bumper with trim (wing) in high-gloss black
- Beltline trim strip and window weatherstrip in high-gloss black
- Exterior mirror housings painted high-gloss black

DIGITAL LIGHT

(Available with C 300d and Mercedes-AMG C 43 4MATIC)

With DIGITAL LIGHT (which has more than 1.3 million pixels per headlamp), you can experience brilliant lighting conditions – constantly adjusted to other road users and to the surroundings. This HD system responds with constantly adapted light to changing traffic, road or weather conditions.



LED High Performance headlamps

(Available with C 200 and C 220d)

These headlamps are a highlight in two respects: thanks to all-LED technology they enable you to see and be seen better – and therefore offer enhanced safety. With their striking design the front lights are already bright during the day, while at night their technical excellence shines through in particular.



Panoramic sliding sunroof

Whether open or closed, with the panoramic sliding sunroof, you experience a wonderful feeling of freedom and enjoy a pleasantly bright ambience in the interior. When viewed from the outside, the large sliding sunroof likewise makes a unique visual impression, as it lends lightness and exclusivity to the exterior.

Mirror package

The Mirror Package combines a number of practical functions for your day-to-day motoring. Electrically folding exterior mirrors protect your vehicle from damage when parking, the automatic dimming function protects your eyes, while the surround lighting - including a projection of the Mercedes-Benz logo makes it easier for you to find your way in the dark.





AVANTGARDE interior

(Available with C 200 and C 220d)

With the AVANTGARDE Interior, you can show what is important to you: stylish sportiness, strong individuality and first-class quality. The avant-garde highlights in the expressively designed interior with ambient lighting will bring you joy day after day.

- Seats with unique seat upholstery layout and redesigned headrest
- Multifunction sports steering wheel in leather steering wheel bezel in silver chrome
- Ambient lighting
- Free-standing, fully digital instrument display with 31.2 cm (12.3 inch) LCD colour display and a resolution of 2440 x 900 pixels
- High-resolution central display slightly tilted towards the driver with 30.2 cm (11.9 inch) screen diagonal, in conj. with MBUX multimedia system
- Upper part of the instrument panel in black and lower part in black or macchiato beige with contrasting topstitching
- Centre console in high-gloss black with insert in silver chrome
- Air vents with elements in silver chrome
- Doors with high-gloss black trim elements and surround in silver chrome as well as switches in silver chrome
- Stowage Space Package
- Overhead control panel in high-gloss black

AMG Line interior

(Available with C 300d)

The AMG Line interior lends your vehicle a more visible and tangible sense of sportiness. In this way you can make a clear statement and show at first glance what is important to you: a dynamic and exclusive ambience down to every detail.

- Seats with sporty seat upholstery layout and redesigned headrest
- Multifunction sports steering wheel in nappa leather, with horizontal twin-spokes, flat bottom, deep embossing in the grip area, steering-wheel bezel and steering-wheel paddle shifters in silver chrome
- AMG brushed stainless steel sports pedals with black rubber studs
- Ambient lighting
- Instrument panel and beltlines in ARTICO man-made leather in black nappa look
- Centre console in high-gloss black with insert in silver chrome
- Air vents with elements in silver chrome
- Doors with high-gloss black trim elements and surround in silver chrome as well as switches in silver chrome
- Floor mats in black with AMG lettering
- Overhead control panel in high-gloss black





Sporty Seat Design

In addition to the new upholstery, there are also other visual and technical innovations in the seating system:

- Head restraint connected to the seat backrest via a trim panel for a sporty look in conjunction with AVANTGARDE interior and AMG Line interior.
- Gap-free seat cushion depth adjustment with pad for leg support.
- Centre armrest with double cup holder in the rear





Leather multifunction sports steering wheel

(Available with C 200 and C 220d)

The elegant leather cover gives the multifunction sports steering wheel an even higher quality look. This makes it a highlight in the interior. And as the driver you enjoy a double benefit: what looks good must also feel good.



Multifunction sports steering wheel in nappa leather

(Available with C 300d)

The multifunction sports steering wheel in nappa leather has a flattened bottom section and is heavily embossed in the grip area – outstanding prerequisites for a sporty driving style. The high-quality, soft nappa leather is a quality experience in itself. Via the touch control panels you can control key vehicle functions without having to take your hands off the steering wheel.

Central display

The high-resolution central display captivates with its brilliant picture quality. It's 30.2 cm (11.9 inch) diagonal screen is operated by touch entry with LCD technology. The screen in portrait orientation has a full-area glass cover and is slightly tilted towards the driver, making it easier to operate and read. This format is more clear in particular for navigation maps with a resolution of 1624 x 1728 pixels (width x height).



Driver display

The high-resolution driver display allows you to have an eye on all the desired information in an easy to read format. It's 31.2 cm (12.3 inch) LCD colour display with a resolution of 2,400 x 900 pixels makes you more relaxed while on the road. The high-quality, free-standing display is an important element of the digitised, finely designed interior, which is exemplary for the modern luxury of your Mercedes. It has 7 different settings with specific content and 3 different display styles.



Cruise Control

Enjoy relaxed, fuel-efficient motoring on longer journeys in particular. For this you can preselect your desired speed and your vehicle takes over control of the speed. In addition to the travelling speed, the limiter helps you to observe a maximum speed. This enhances road safety and prevents you from incurring expensive speeding tickets.

Electrically adjustable front row seats with Memory package

With the Front Memory Package you can store and conveniently select up to three different seat positions. These can be linked to user profile so that the seat setting is done as per the pre-set profile using NTG 7. Additionally, the positions of the steering wheel and outside mirrors. If you have created a user profile, you must activate this in the central display in order to call up your personal settings.





DYNAMIC SELECT

DYNAMIC SELECT changes the handling at the tap of a finger. Use different driving modes and vary the characteristics of the engine, suspension and steering, for example. Whether dynamic in Sport mode, fully relaxed in Comfort mode or particularly economical in ECO mode – you determine the way you want to drive right then.

USB package

Thanks to the two additional USB-C ports under the front armrest, you and your passengers charge mobile devices very easily. Using connected devices, you can also import data such as your stored music to the multimedia system.



Wireless charging system

Driving time becomes charging time – just drop your smartphone into its allotted place in the oddments tray for wireless charging. Irrespective of the model and brand, compatible smartphones are charged wirelessly.



Premium Plus Ambient lighting

Showcase the interior according to your personal preferences or current mood. With a total of 64 colours and 10 moods, the ambient lighting gives you almost unlimited choices for lighting schemes and has the right colour available in the programme for any situation.

- Trim element plane with direct lighting running from the sides of the centre console to the instrument panel and the door handles of the front and rear doors
- Additional lighting scopes on the air vents and the door centre panels of the four doors (baguette with direct and indirect lighting)
- Four dimming zones (All, DIRECT, Ambient and Accent)
- Variable brightness setting

*Please read the disclaimer

Burmester® 3D surround sound system

(Available with C 300d and Mercedes-AMG C 43 4MATIC)

Experience greater audio performance with exquisite Burmester® sound. The 15 high-quality speakers of 710 watt achieve impressive surround sound. You can specifically optimise this for the front and rear seats to intensify the listening experience. The unmistakable Burmester® speaker covers also enhance the interior visually.



Double cup holder

You can always have a refreshing or warming drink within reach. This is made possible by the double cup holder in the front section of the centre console. You can safely deposit two bottles or mugs in it. And if you remove the double cup holder, you add a large stowage tray to the interior.



THERMATIC automatic climate control

The THERMATIC automatic climate control with 2 climate zones offers individual climate comfort in the front seats: the driver and front passenger can set the temperature separately for their side. This is kept constant thanks to the automatic climate control and the sensitive sensor system - without any manual readjustment.



Folding rear seat backrests

More flexibility for your boot: With just a push of a button, the seats get folded. The folding rear bench seat enables you to transform the boot into a long load area in next to no time. It therefore becomes easy to transport large or bulky items of luggage.

Stowage Space package

The standard-fit Stowage Space Package has numerous stowage and securing facilities for the interior as well as for the boot or load compartment. Useful stowage spaces ensure that everything has its place. Small and large items of luggage can be optimally secured.

- Luggage net on the left sidewall panel in the boot or load compartment
- Folding box beneath load compartment floor





Illuminated door sill panels

Even getting in and out becomes an experience in itself. As part of this, the high-quality stainless-steel sill panels are illuminated with striking "Mercedes-Benz" lettering. This shows that you value modern luxury.



Velour Floor Mats

(Available with C 200 and C220d)

The velour floor mats further enhance your interior. They are provided in the respective appointments color with matching edging, thus ensuring that they blend perfectly into the interior design. In addition, the mats protect the footwell against dirt – they can be removed very rapidly to be vacuumed or cleaned.



AMG floor mats

(Available with C 300d)

The C 300d comes with AMG floor mats specially for your comfort.



Electric sunblind for rear window

The electrically extending and retracting roller sunblind for the rear window protects against harsh direct sunlight in summer. As a result, as the driver you can ensure that you are not dazzled by sunlight coming from the rear. In addition, the interior heats up less. Visibility to the rear is maintained.



Roller sunblinds in left and right rear doors

The manual pull-out roller sunblinds protect against direct, bright sunlight in summer and when the sun is low in the sky. As a result your rear passengers are not dazzled and the interior heats up less. It still remains possible to see out of the rear windows - for a pleasant and eventful journey.



Mercedes-Benz C-Class

Technology



Car-to-X Communication

The social media for the cars.

Drive with foresight and safely thanks to networked information. Sometimes, when driving, an uneven surface suddenly appears behind a curve and you can barely prevent a jerk. Everyone has probably already experienced confusing situations of this kind - a great risk in road traffic. Thanks to Car-to-X Communication, you can see such dangers coming and react in good time. Vehicles equipped with the technology communicate with each other, so that on the one hand information is transmitted to your vehicle and on the other hand you also inform other drivers yourself. You will be warned by marking on the navigation map and, if necessary, by an announcement. In this way you will reach your destination safely - without nasty surprises. Depending on sensors onboard the vehicle reports warning.

*C-Class would only receive and would not send warning sign for Speed Bumps as necessary sensors are not present.

Please note that certain services are offered free of cost for a period of three (03) years and may be chargeable at the expiry of three (03) years from the date of activation of such services. If you wish to continue using those services, you may renew the same through Mercedes Me Store (as and when it is available). Please get in touch with your preferred Franchise Partner for more details.



Natural Voice Control

“Hey Mercedes.” These two initial words start the natural, intuitive LINGUATRONIC voice control system which comes as standard. It reacts to almost every word. The system can even process indirect speech – the air conditioning will respond, e.g. to “I feel cold” and increase the temperature setting. At the same time the voice control also has learning capability. It attunes itself to your voice and thus understands you better.

Touch Control Concept

MBUX offers users maximum freedom for controlling all functions in the way most comfortable and convenient to them. Whether using voice control or intuitive touch functions. The new Mercedes-Benz C-Class comes with the option of a multimedia touch display. Furthermore, the displays can be controlled using Touch Control buttons on the steering wheel.



MBUX Navigation Premium

With the MBUX Navigation Premium you can reach your destination quickly and well-informed. You can rely on current map data including satellite view, precise real-time traffic information and fast online route guidance. Last but not least, intelligently networked functions also make your journey safer.



Hard-disc navigation

Save time thanks to fast hard-disc navigation with flexible options for entries via touch control or voice input. The 3D displays of points of interest, for example, are also a visual delight. The intelligent system guides you reliably to your destination using both local and up-to-date online information.

Live Traffic Information

It receives traffic information in real time which is more precise and up-to-date than conventional systems and optimises dynamic route guidance. The data is updated every two minutes over a mobile phone connection. Sending the vehicle's location along with requests for traffic information ensures that the traffic information sent to your vehicle is the relevant information required for calculating your route and arrival time.

Fingerprint Scanner

With the fingerprint scanner you identify yourself very quickly and comfortably. If you touch the color-lit button, the system enables access to it. This is secure and, moreover, less distraction than entering a PIN.



Sound Personalization

(Available with C 300d and Mercedes-AMG C 43 4MATIC)

A tailor-made listening experience: with the personalization of the sound system, you can easily achieve your perfect sound setup. The 15 high-quality speakers of 710 watt achieve impressive surround sound. A setup assistant with an innovative algorithm determines your music preferences together with you and adjusts the Burmester® sound system to your wishes. It saves the result in a personal profile.

Smartphone Integration

Smartphone Integration connects the mobile phone with the multimedia system wirelessly via Apple CarPlay™ or Android Auto™. This gives you convenient access to the most important apps on your smartphone. You can also use apps from third-party providers such as Spotify quickly and easily.



Extended Functions MBUX

Create an emotional connection - a vehicle becomes your vehicle. Because the extended functions of MBUX adapt to you. Say “Hey Mercedes” and MBUX will wait for your wishes and learn more thanks to the online connection. Personal profiles, forecast functions and a WiFi hotspot completely redefine digital networking.



Mercedes me connect allows drivers to stay in touch with their vehicles from anywhere in the world and to obtain assistance at the touch of a button thereby making everyday life easier.

Mercedes *me*

Vehicle Monitoring

Vehicle Tracker: Track your vehicle from anywhere, as your vehicle's GPS coordinates are seen on your phone App.

Parked Vehicle Locator: It can locate your parked vehicle within a radius of 1.5 kilometres and show you on a map how to make your way back to the vehicle.

Vehicle Set-Up

Remote Retrieval of Vehicle Status: Information on Mercedes me App or the Mercedes me Portal.

Remote Door Locking and Unlocking: You can conveniently remotely lock or unlock your vehicle from the Mercedes me App.

Speed Alert: Receive an alert if your vehicle exceeds a certain speed.

Send2Car function: Send your address to your vehicle via an app.

Remote Engine Start/Stop

Navigation Connectivity package

The combination of the standard-fit communication module (LTE) and the hard-disc navigation makes sure that you always reach your destination as quickly as possible by the best route.

Mercedes-Benz emergency call system

The Mercedes-Benz emergency call system can save you vital minutes in an emergency. If an accident is detected, a communications module with its own SIM card automatically triggers an emergency call which could shorten the time until rescue services arrive.

Please note that certain services are offered free of cost for a period of three (03) years and may be chargeable at the expiry of three (03) years from the date of activation of such services. If you wish to continue using those services, you may renew the same through Mercedes Me Store (as and when it is available). Please get in touch with your preferred Franchise Partner for more details.

Mercedes me

Vehicle Finder (enables horn and light flashing)

Find your vehicle in large parking lots with ease. Simply blow the horn or flash the headlamps through the app to locate your vehicle

Mercedes me Service app: Your digital assistant

Keep a tab on your Star's maintenance with ease. Get timely maintenance and service reminders. Book a service appointment and search for nearest showrooms with a single touch.

What's more, access expert tips to keep your Star in its best shape with car care videos.

Geo-fencing

Set a perimeter for the car movement and receive notifications in case of vehicle movement beyond the parameter. Hence the feature enables easy monitoring when vehicle is being driven by others.

Windows/sunroof open close from App

Open/Close the windows and sunroof of your Mercedes-Benz remotely through the app. This enables better ventilation before you get into the car.



Mercedes me

Additional Mercedes me connect features

Alexa Home Integration with Mercedes me

connect: Conversations with Alexa are now more fun when the systems connect with your Mercedes-Benz via cloud and give you real time updates. This feature can be used from an Alexa Echo device setup at home, office or also from phone's Alexa App. The command starts with "Alexa, Ask Mercedes to...." or directly initiate a command by saying "Alexa, tell Mercedes to <command>".

Google Home integration with Mercedes me connect: Google Home integration is also offered for Google home users. In a similar way, once the Mercedes me connect is linked to Google Home, you can start issuing commands.

Parking location POIs (Points of Interest): The introduction of new Parking solution, shows Parking lots available across different parts of the cities. The Parking POIs (Points of interest) can be seen easily on the navigation system or alternatively also on the Mercedes me App maps section.



Please note that certain services are offered free of cost for a period of three (03) years and may be chargeable at the expiry of three (03) years from the date of activation of such services. If you wish to continue using those services, you may renew the same through Mercedes Me Store (as and when it is available). Please get in touch with your preferred Franchise Partner for more details.

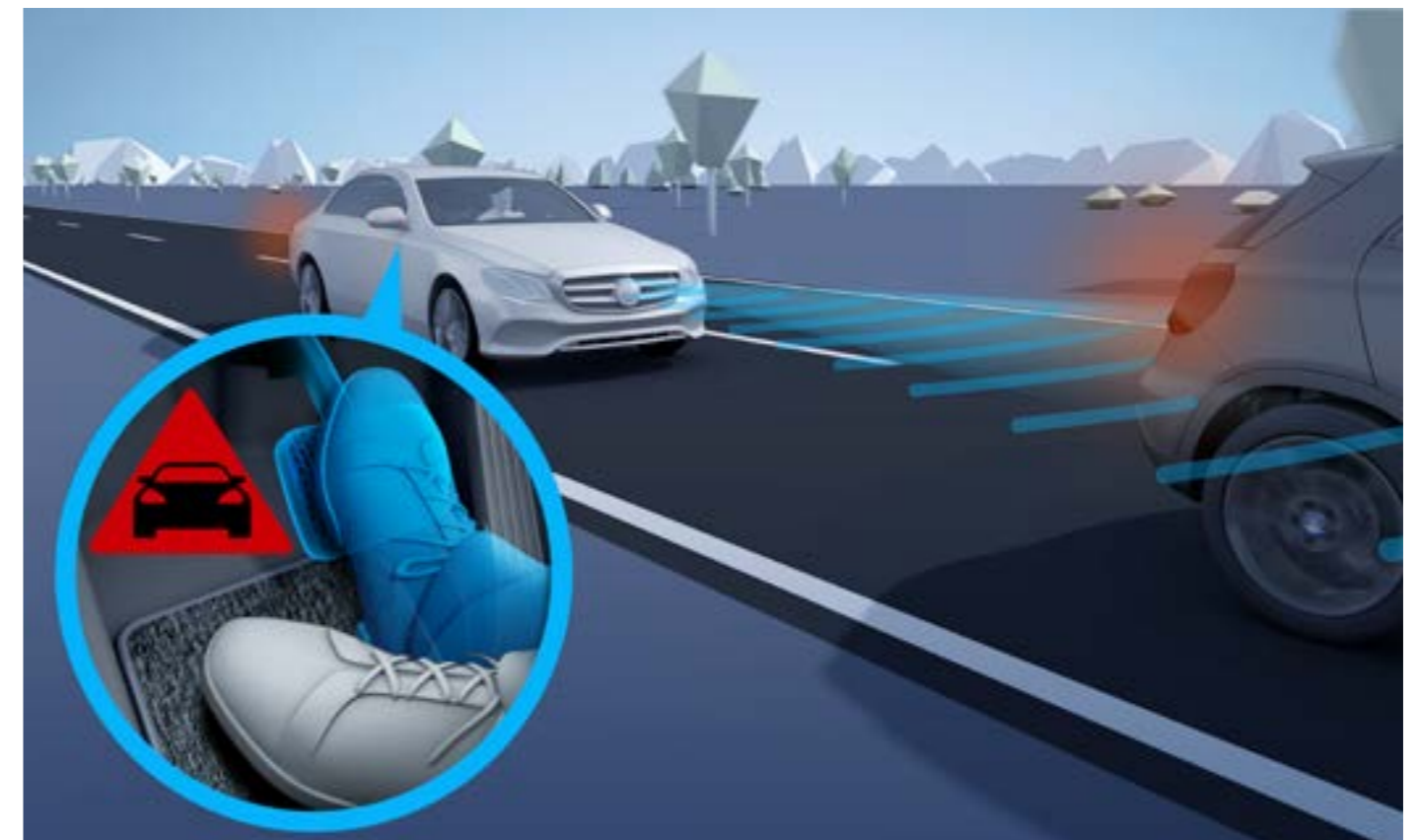
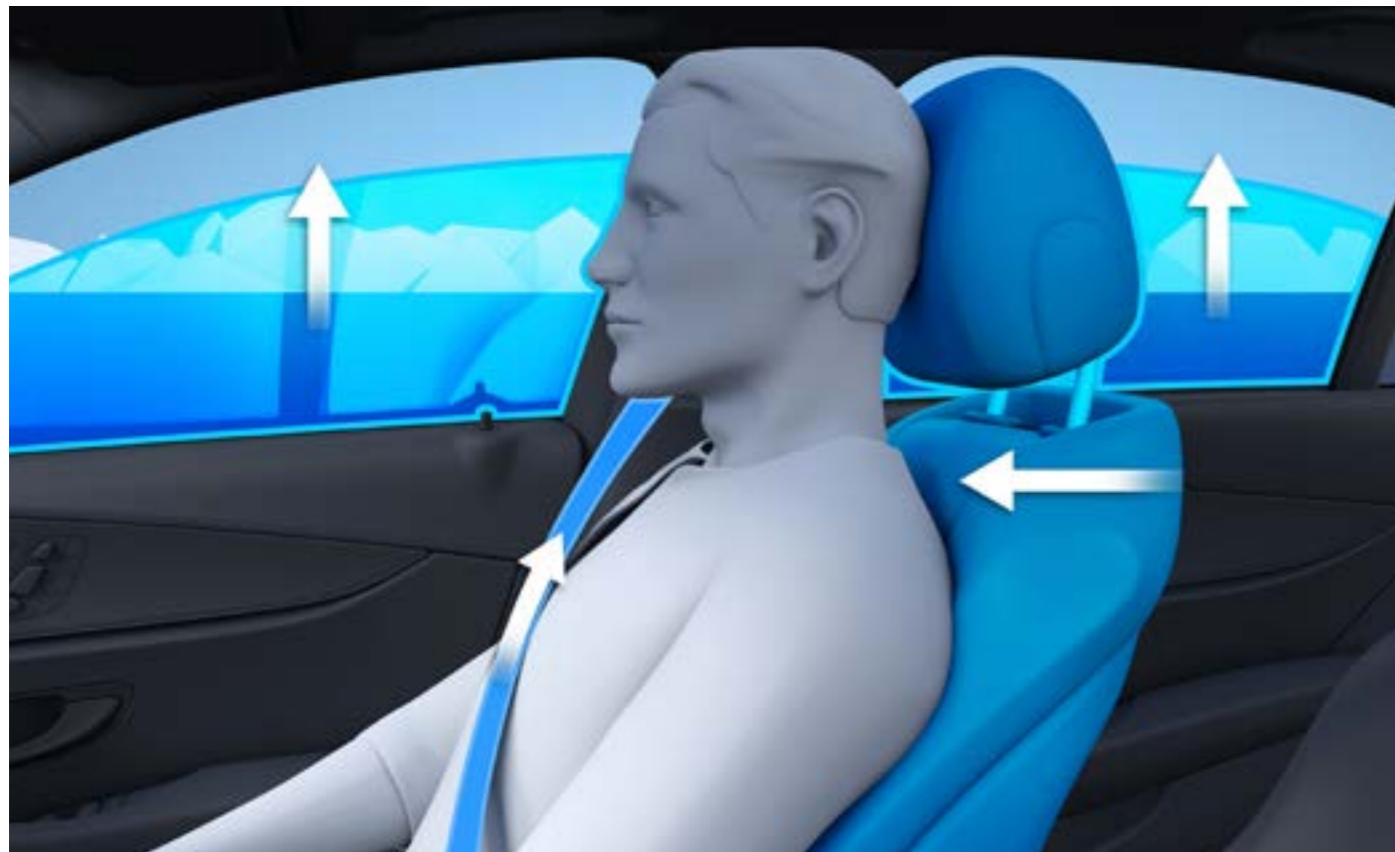


Mercedes-Benz C-Class

Safety

PRE-SAFE®

The PRE-SAFE® system makes use of the time prior to an impending accident on your behalf. A host of measures are able to reduce the stress and strain to which you are exposed. The innovative PRE-SAFE® sound generates a noise from the speakers which is able to trigger a natural protective reflex: this protects the inner ear by damping the accident noise.



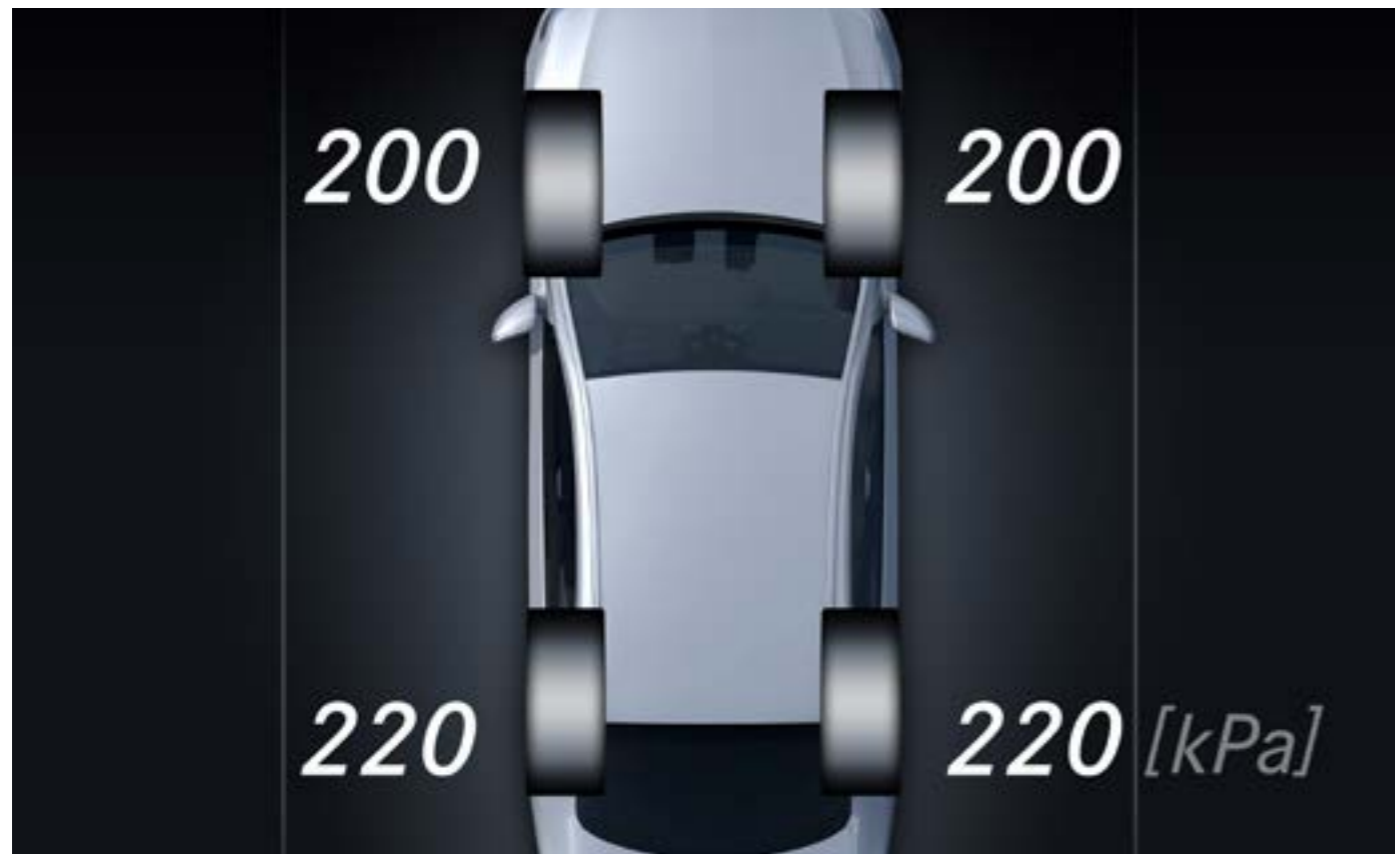
Active Brake Assist

This assistant can help to avoid collisions with moving or stationary vehicles in front, with oncoming traffic when making a turn and with moving pedestrians as well as cyclists. As part of this, in addition to distance and collision warning, the system primarily also offers situation-appropriate braking assistance – right up to autonomous emergency braking.

Active Park Assist with PARKTRONIC

This package offers you versatile support when parking: the Active Parking Assist with PARKTRONIC detects free parking spaces as you drive past. As soon as a parking space has been selected, thanks to the reversing camera, ultrasonic sensors and practical visualizations you can enter a space effortlessly – or have the vehicle parked with assistance.





Tyre pressure monitoring system

The system monitors the tyre pressure for you and provides you with a warning in the event of a drop in pressure. As a result, you can react more quickly to hazardous situations. Insufficient tyre pressure can also result in longer braking distances. When the control system notifies you, you should top up the air quickly. Correct tyre pressure additionally increases the longevity of the tyres.

TIREFIT

A quick, temporary solution in the event of minor tyre damage. Damage caused by driving over nails or glass fragments can be sealed by means of the sealant blown in via the air compressor. You can then drive on as far as the nearest workshop at up to 80 km/h.





The Mercedes-AMG C 43 4MATIC



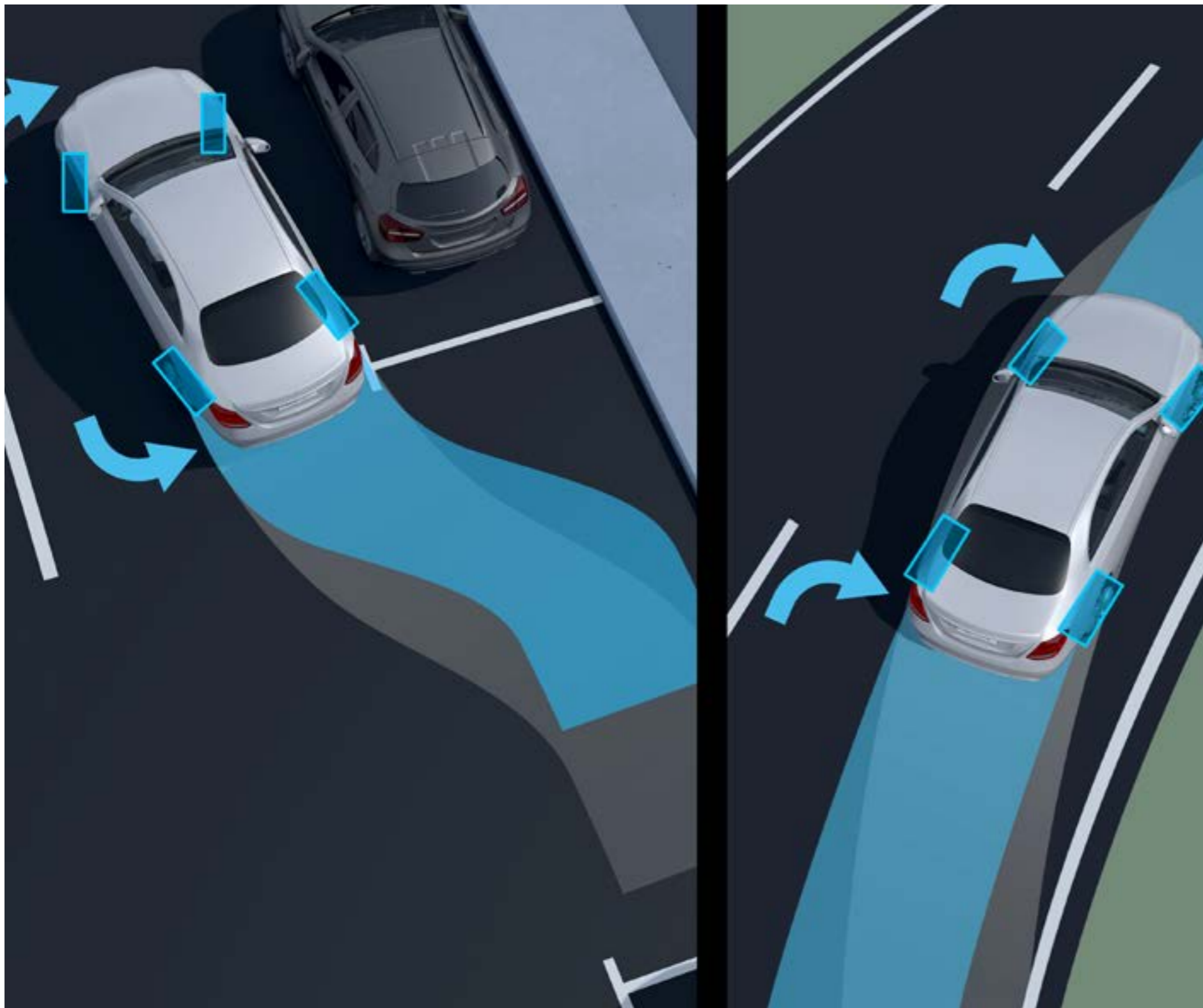
F1[®] technology is here to take
the streets by storm.

Handcrafted Mercedes-AMG 2.0 Liter Engine built on One Man, One Engine Philosophy.

The Mercedes-AMG C 43 4MATIC comes with a 2.0L in-line four-cylinder engine which is aided by an electric turbocharger for instant acceleration. The turbocharger is operated by a 48V electric system which also feeds the belt-driven starter-generator. The engine in this AMG is the world's first series-production engine to be turbocharged with an electric exhaust gas turbocharger.

F1® technology is here to take the streets by storm. Cylinder walls coated using NANOSLIDE® technology (iron-carbon) - best possible lubrication, reduced friction and above-average wear resistance thanks to extremely hard contact surface with minute pores for oil absorption. Forged pistons of lightweight design - treated in this way, the material has greater density and is able to withstand more force over the same area 10 kW (14 hp) extra output thanks to overboost function - for very sporty acceleration. Fuel system with injection timing, consisting of direct injection at low and medium engine power and port injection at full load for optimum fuel utilisation depending on the driving situation. Mild hybrid with 48-volt on-board electrical system - in addition to the regular 12-volt on-board electrical system - among other things for the operation of the belt-driven starter alternator and the exhaust gas turbocharger. Aluminium crankcase featuring a closed-deck design as in motorsport, the area around the cylinders' coolant jacket is closed off at the top and only perforated by cooling ducts - this makes the engine block even more rigid and resilient. Hollow-bored, sodium-cooled exhaust valves are designed for extremely high temperatures while being particularly light in weight - very large exhaust cross-sections (due to central injector and spark plug system) allow the exhaust gas to stream out with minimal losses efficient thermal management with dual-circuit cooling and stationary coolant - this shortens the engine warm-up phase and reduces consumption. Optimised combustion chamber roof - seating rings with a reduced installed height, borehole close to the combustion chamber near the exhaust seating rings. This increases the efficiency of the cylinder head cooling.





Rear Axle Steering

The AMG 4MATIC brings rear axle steering to the best-selling model series from Affalterbach as standard. The rear axle steering gives three advantages at once: a smaller turning circle even more confident or the same direction as the front wheels depending on the vehicle's need.

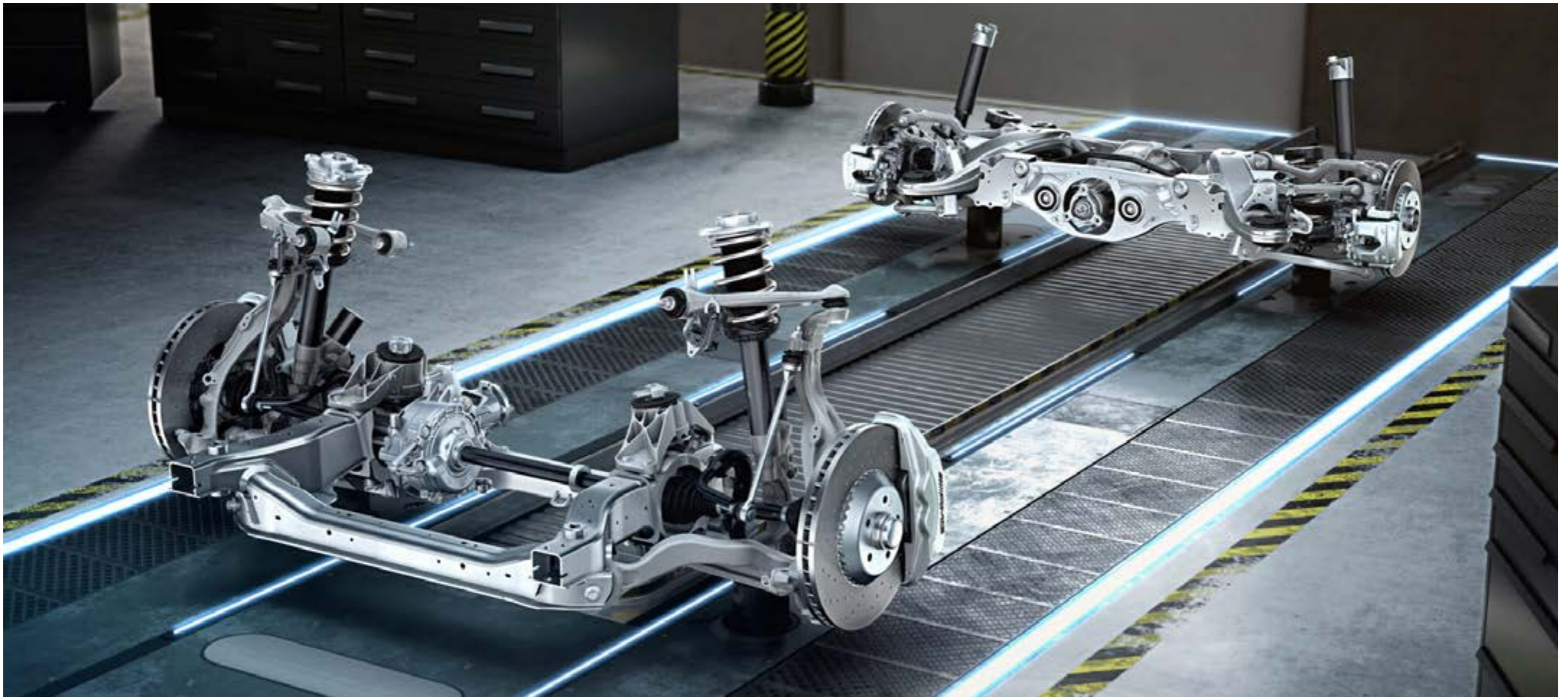
At speeds below 60 km/h, the rear wheels steer in the opposite direction to the front wheels – when parking, by as much as 2.5° counter to the front axle angle. The wheelbase is virtually shortened depending on the situation, making your vehicle more nimble, manoeuvrable and agile. This is also noticeable when making a turn, quickly changing direction and when manoeuvring. The turning circle is also reduced.

At speeds above 60 km/h, the rear wheels steer up to 2.5° in the same direction as the front wheels. The resulting virtually extended wheelbase offers you noticeable advantages: increased driving stability and driving safety at high speeds, fast lane changes or sudden evasive manoeuvres.

In addition, less steering angle is required during dynamic manoeuvres, e.g. when driving on a country road – and your vehicle delivers a sportier response to steering commands. This is supported by the integral dynamic handling control system of the ESP®.

AMG RIDE CONTROL suspension with adaptive adjustable damping system

Comfortable cruising or sporty driving is possible thanks to the AMG RIDE CONTROL suspension with adaptive adjustable damping, the choice is yours. In the “Comfort” drive program, you enjoy a balanced damping characteristic. The “Sport” and “Sport+” programmes provide support with a firmer set-up for demanding driving and handling.



AMG SPEEDSHIFT MCT 9G transmission with wet starting clutch and RACE START function

AMG DYNAMIC SELECT: The transmission features drive program-specific drive settings with a wide spread between the different modes. If “Smooth” mode is activated via AMG DYNAMIC SELECT, the transmission shifts smoothly and early. In “Comfort” mode, the focus is on efficiency and pleasant gear changes. The efficient ‘Gliding’ function is also available in this mode. The dynamics can be increased step by step with the “Sport” and “Sport+” modes, which work with noticeably shorter shift times.

Manual gear changes: In manual mode (M), you control the gear changes yourself - ergonomically and at lightning speed via the steering wheel shift paddles. Temporary interruption of ignition during upshifts provides for an emotion-packed sound. When downshifting, the acoustically inspiring intermediate throttle function supports you.

RACE START function: Enjoy the best possible acceleration from a standstill. To do this, put one foot on the brake in “Sport” or “Sport+” mode and fully depress the accelerator. You can determine the starting speed yourself with the steering wheel gearshift paddles, at between 2000 and 4000 rpm, depending on the road surface and weather conditions. As soon as you release the brake, you experience full acceleration.

Reinforced transmission: The AMG SPEEDSHIFT MCT 9G with wet starting clutch offers a superior combination of efficiency and dynamics. In order to be able to offer the typical AMG stability at high torques, the transmission has a magnesium housing and various reinforcing measures. Up to 5 planetary gears per gear set and up to 14 friction pairings ensure durability and high performance.





AMG DYNAMIC SELECT

With the AMG DYNAMIC SELECT drive programs, you have your own personal race engineer on board. Depending on the situation or your mood, you can intensify the sporty character of your vehicle. In addition to the predefined set-ups, there are also individually selectable combinations - such as a dynamic drive setup with a comfortable steering sensation.

AMG DYNAMIC SELECT changes your driving experience as you wish, offering a wide range encompassing up to six drive programs. The vehicle's individual components are ideally coordinated in accordance with the characteristics of the respective drive programs.

Adjustments to the engine and transmission allow e.g. a more direct or indirect throttle response. The sound of the exhaust system also changes depending on the mode: while it is more restrained in "Comfort" mode, it comes to the fore much more emotively in "Sport" or "Sport+".

Mercedes-AMG exterior

Strikingly sporty exterior, including AMG-specific radiator shell and round twin tailpipe trims. The AMG-specific radiator shell, round twin tailpipe trims or the unmistakable type designation at the rear: the distinctive, independent styling of the Mercedes-AMG exterior defines the sporty character of your vehicle. With dynamic details, it forms the entry into the world of Mercedes-AMG.

AMG Exterior Night Package

- Exterior features in high-gloss black:
 - Trim strip in the front splitter in the AMG front apron
 - Outside mirror housings
 - Inserts in the AMG side sill panels
 - Waistline trim strip and window weatherstrips
 - Decorative brace in rear apron
- AMG exhaust system with two black chrome-plated twin tailpipe trim elements

AMG spoiler lip

Visible aerodynamic element in vehicle colour, for a sporty look as well as improved driving characteristics at high speeds. The AMG spoiler lip painted in the vehicle colour reduces lift on the rear axle. In this way, it supports neutral driving behaviour, especially at high speeds. At the same time, it makes a strong visual statement in your struts of superior performance.





Mercedes-AMG interior

- Sports seats with Mercedes-AMG specific stitching pattern
- Seat upholstery in ARTICO man-made leather/MICROCUT AMG black microfibre in nappa look with red contrasting topstitching
- Instrument panel and beltlines in ARTICO man-made leather in nappa look Black version with red contrasting topstitching
- Mercedes-AMG-specific display content on the driver display and the central display
- Metal structure trim elements on the instrument panel
- Air vents with elements in silver chrome
- Ambient lighting
- AMG sports pedals made of brushed stainless steel with blackrubber studs
- AMG illuminated door sill panels with “AMG” lettering and exchangeable covers
- AMG floor mats in black with “AMG” lettering.
- Seat belts in red
- Roof liner in black fabric

AMG floor mats

Black floor mats with “AMG” lettering. The elegant black floor mats with “AMG” lettering blend harmoniously into the interior design and protect the footwells effectively against soiling. When needed, you can very rapidly remove, vacuum or clean the AMG floor mats.



Ambient lighting Plus

Showcase the interior according to your personal preferences or current mood. With a total of 64 colours and precise, directly illuminated light lines, the ambient lighting plus gives you an almost unlimited scope for lighting schemes and has the right colour in its range for any situation.



Interior Light Package

More light, more atmosphere, better orientation: the standard-fit Interior Light Package provides comprehensive direct and indirect illumination. The light sources create a pleasant atmosphere and facilitate operation.

AMG Performance steering wheel with steering wheel buttons

Sporty 3-twin-spoke steering wheel in nappa leather with aluminium steering wheel gearshift paddles, touch control panels and AMG steering wheel buttons. With this AMG steering wheel, fine nappa leather meets high-grip MICROCUT microfibre – for perfect grip and precise control. Its typical AMG flattened shape has been adopted from motorsport and underlines the sportiness of the cockpit. Ergonomically positioned touch control panels ensure intuitive user-friendliness and are conducive to focused driving.

2 AMG steering wheel buttons with mini-displays, individually assignable with AMG functions. Make your steering wheel even sportier with the AMG steering wheel buttons: these are designed as modern mini-displays and allow fast and unerring operation of specific dynamic driving functions. For a focused and concentrated driving sensation – and for an authentic racing car atmosphere in the cockpit.





Heated front seats

Three-stage seat heating for driver and front passenger. The seat heating quickly brings the seat surfaces and backrests to a comfortable temperature in cooler weather or according to your personal preference. You select the intensity in 3 levels. After some time, the seat heating is reduced automatically.

AMG illuminated door sills with “AMG” lettering and with exchangeable cover.

Illuminated door sill panels with “AMG” lettering and interchangeable covers. The high-quality stainless steel door sill panels are illuminated with “AMG” lettering. Thanks to the interchangeable covers, you can swap the door sill panels for other attractive genuine parts from Mercedes-AMG or Mercedes-Benz. So even getting in or out becomes an experience.



KEYLESS GO Package

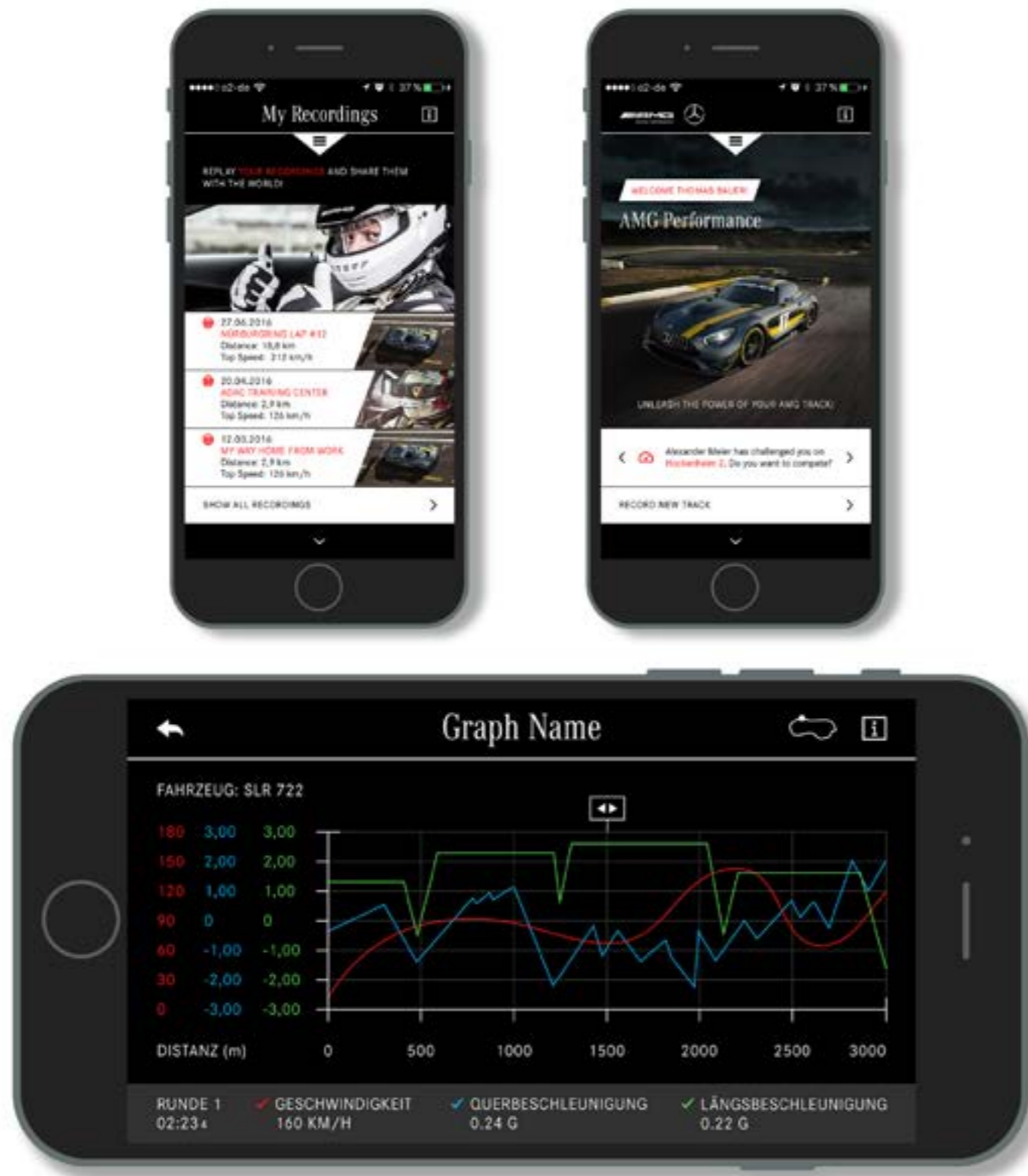
Start your vehicle simply at the press of a button. Thanks to the standard KEYLESS-GO Package, you only need to have the key in the vehicle with you. This saves time and you can start your journey immediately. KEYLESS-GO Access and drive authorization functions: All vehicle doors open and close by touching the respective door handle. Electronic vehicle key: Within 2 meters of the respective vehicle door, the vehicle key communicates with the vehicle.

- KEYLESS-GO access and drive authorization system
- Electronic vehicle key
- Door handles with chrome inserts
- Remote boot lid closing



AMG Real Performance Sound

More emotional engine sound in the interior, adjustable in BALANCED and POWERFUL levels. With AMG Real Performance Sound, your AMG sounds even more emotional and you can determine how the turbo engine sounds in the interior. At the touch of a button or the touchscreen, you can adjust the sound between sporty-decent (BALANCED) or sporty-emotional (POWERFUL).



AMG Track Pace

AMG TRACK PACE transforms your vehicle into your virtual race engineer. With the aid of lap, sector and acceleration times plus selected live telemetry data, you can specifically analyse and improve your driving skills on cordoned-off tracks.

Position determination: AMG TRACK PACE determines the position of the vehicle using an algorithm. This combines vehicle data such as wheel speed, steering angle and yaw rates with the satellite-based GPS positioning system and updates them every 50 milliseconds (20Hz technology). This makes position measurement significantly more precise than with external applications such as third-party apps on a smartphone.

Measured values: In addition to recording rides on circuits and open tracks, you record accelerations such as the sprint from a standstill to 100 km/h or over the quarter mile as well as deceleration values. The measurement starts automatically when driving off or in deceleration mode when driving below a certain speed.

Data analysis: To record and continuously improve your individual performance, recorded data such as lateral and longitudinal acceleration, accelerator and brake pedal position or steering angle help. Individual laps and sprints are stored in the vehicle database.

Visualization in the vehicle: All values are clearly displayed and can be read directly in the vehicle. Fast or slow laps are captured out of the corner of your eye thanks to different color representations.

AMG TRACK PACE App: The app allows you to record a video of your laps, save the vehicle data on your smartphone and analyze it.

Silver Painted Brake Callipers

Silver-coloured brake callipers with “AMG” lettering. The silver-painted brake callipers with “AMG” lettering are an attractive eye-catcher and underline the performance and value of your brake system.



Emergency spare wheel

The slim emergency wheel is lightweight and makes changing a tyre in the event of a breakdown simple. This enables you to reach the next service station even in the event of more significant tyre damage which it may not be possible to repair with TIREFIT tyre sealant.

Paintwork

Obsidian Black

(Available with C 200, C 220d and C 300d)



MANUFAKTUR opalite white bright

(Available with C 200, C 220d and C 300d)



Canvansite Blue

(Available with C 200, C 220d and C 300d)



Mojave Silver

(Available with C 200 and C 220d)



High-Tech Silver

(Available with C 200 and C 220d)



Selenite Grey

(Available with C 200 and C 220d)



Paintwork

(Available with Mercedes-AMG C 43 4MATIC)

Obsidian Black



Polar White



Sodalite Blue



Graphite Grey



High-tech Silver



Selenite Grey



Paintwork

(Available with Mercedes-AMG C 43 4MATIC)

Spectral Blue



MANUFAKTUR opalite white bright



MANUFAKTUR patagonia red bright



MANUFAKTUR graphite grey magno



Upholstery



ARTICO man-made leather black

Available with C 200 and C 220d:

C 200 – High-Tech Silver

C 220d – High-Tech Silver



ARTICO man-made leather sienna brown

Available with C 200 and C 220d:

C 200 - MANUFAKTUR opalite white bright, Mojave Silver

C 220d - MANUFAKTUR opalite white bright, Mojave Silver



ARTICO man-made leather macchiato beige

Available with C 200 and C 220d:

C 200 – Obsidian Black, Cavansite Blue, Selenite Grey

C 220d – Obsidian Black, Cavansite Blue, Selenite Grey

Upholstery



ARTICO man-made leather black

Available with C 300d:

Obsidian Black



ARTICO man-made leather, two-tone sienna brown / black

Available with C 300d:

MANUFAKTUR Opalite White Bright, Cavansite Blue



ARTICO man-made leather upholstery MICROCUT microfibre

AMG - black

Available with Mercedes-AMG C 43 4MATIC

Trim Options



Black open-pore aluminium lines wood trim
(Available with C 200 and C 220d)



Metal-weave trim
(Available with C 300d)



Metal structure trim element
(Available with Mercedes-AMG C 43 4MATIC)

Alloy Wheels



43.2 cm (17 inch) 5-spoke light-alloy wheels painted black with high-sheen finish.
(Available with C 200 and C 220d)



45.7 cm (18 inch) AMG 5-spoke light-alloy wheels aerodynamically optimised, painted black with high-sheen finish.
(Available with C 300d)



48.3 cm (19") AMG light-alloy wheels in a 5-twin-spoke design aerodynamically optimized, painted titanium gray and with a high-sheen finish.
(Available with Mercedes-AMG C 43 4MATIC)

Genuine Accessories

Rear trim strip



Rear trim strip



AMG Roof Box, Coupe

(Available with Mercedes-AMG C 43 4MATIC)



Genuine Accessories

AMG & Mercedes-Benz Valve Cap



Mercedes-Benz Hub Caps



Black



Himalaya Grey



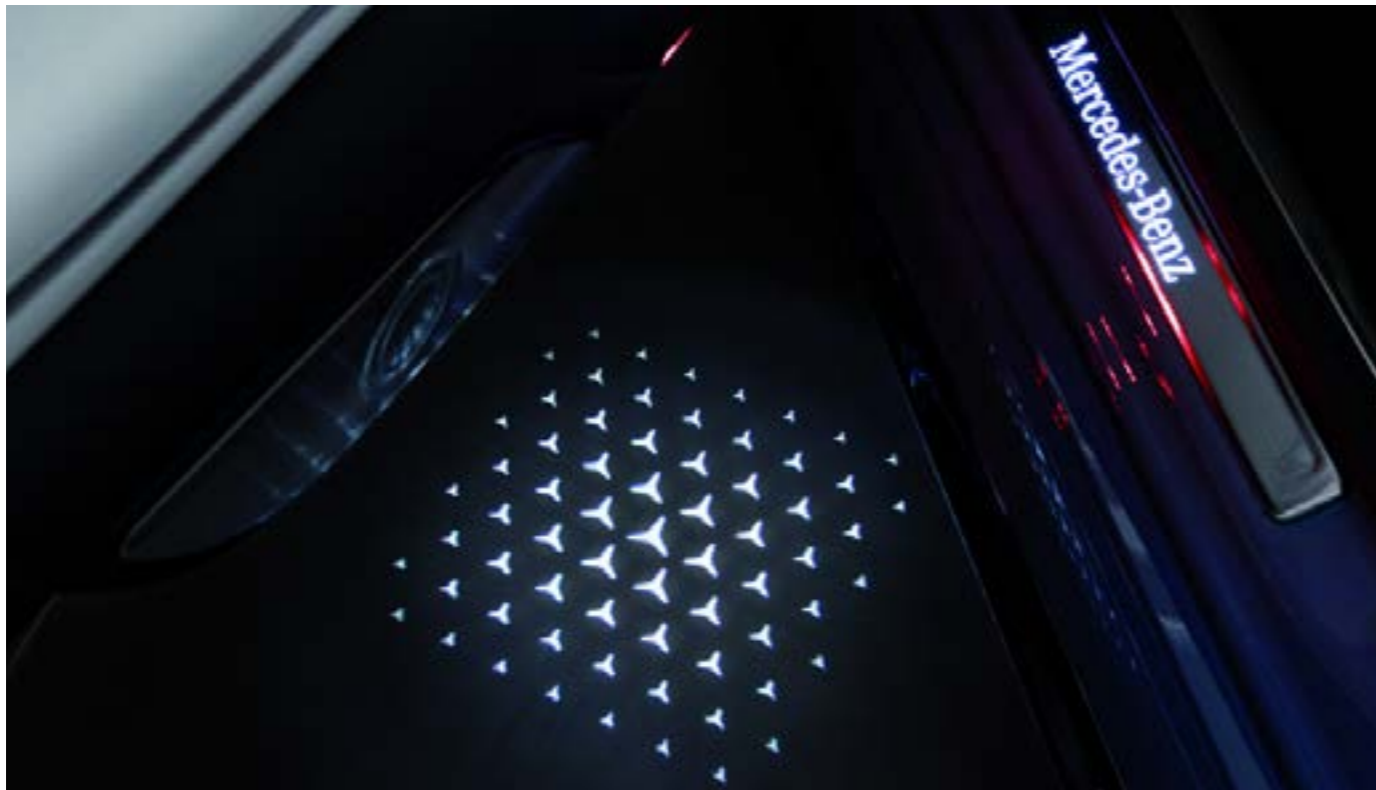
Classic Design Black



AMG hub cap, with AMG emblem, set of 4

Genuine Accessories

LCD projector, with animated Mercedes-Benz pattern



LCD projector, with animated AMG pattern



Genuine Accessories

Floor Mats – Exclusiv and Classic Options



Velour floor mats EXCLUSIV,
driver's/co-driver's mat, Set of 2



Rep floor mats CLASSIC,
driver's/co-driver's mat, Set of 2



Velour floor mats EXCLUSIV, rear, Set of 2



Rep floor mats CLASSIC, rear, Set of 2

Safety Accessories – Child Safety



DUO plus child seat, with ISOFIX

Genuine Accessories

Interior Comfort Accessories – Boot, Load Compartment



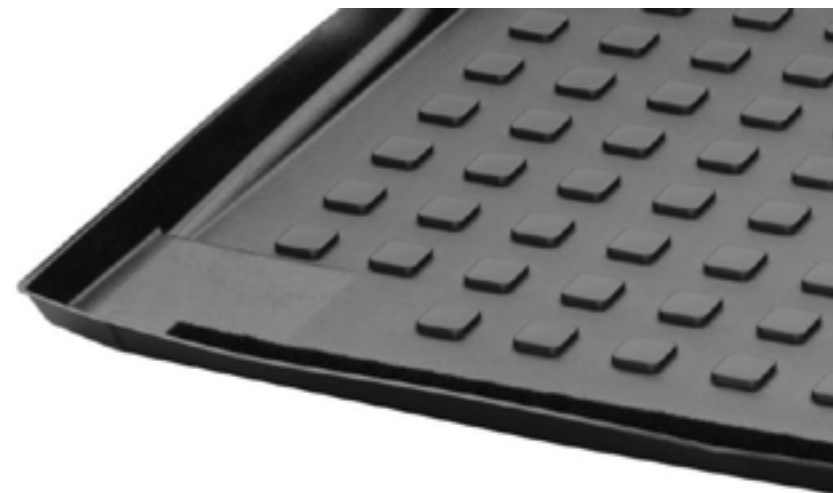
Coolbox - Black



Rectifier



Stowage Crate



Boot Tub - Shallow Black



Shopping crate, collapsible

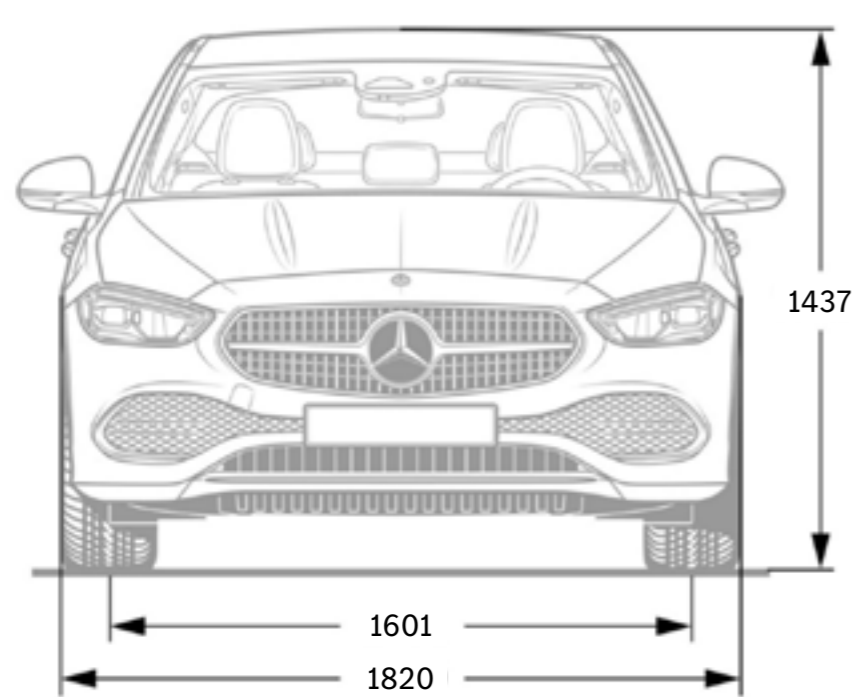
Technical Data

	C 200	C 220d	C 300d	AMG C 43 4MATIC
Fuel type	Petrol	Diesel	Diesel	Petrol
No. of cylinders/arrangement	L4	L4	L4	L4
Total displacement in cc	1496	1993	1993	1991
Rated output in kW (hp) @ rpm	150 (204) @ 5800 - 6100	147 (200) @ 3600	195 (265) @ 4200	300 (408) @ 6750
Rated torque in Nm @ rpm	300 @ 1800 - 4000	440 @ 1800 - 2800	550 @ 1800 - 2200	500 @ 5000
Transmission	9GTRONIC	9GTRONIC	9GTRONIC	9G MCT
Acceleration from 0 to 100 km/h in sec	7.3	7.3	5.7	4.6
Top speed, approx. in km/h	246	245	250	250

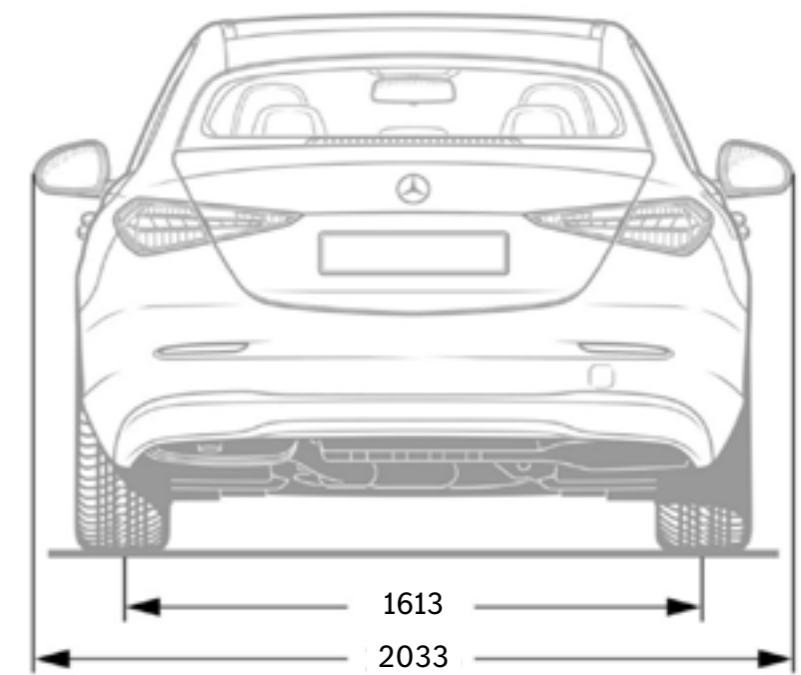
The integrated starter alternator (ISG) electrically supports the combustion engine in certain operating states with up to 15 kW of additional power and up to 200 Nm more torque. Available in C 200, C 200d and C 300d.

Belt driven starter generator in the Mercedes-AMG C 43 4MATIC the unit produces 300 kW (408 hp) and, in certain driving situations, is able to call upon a brief additional boost of 10 kW (14 hp) from the RSG.

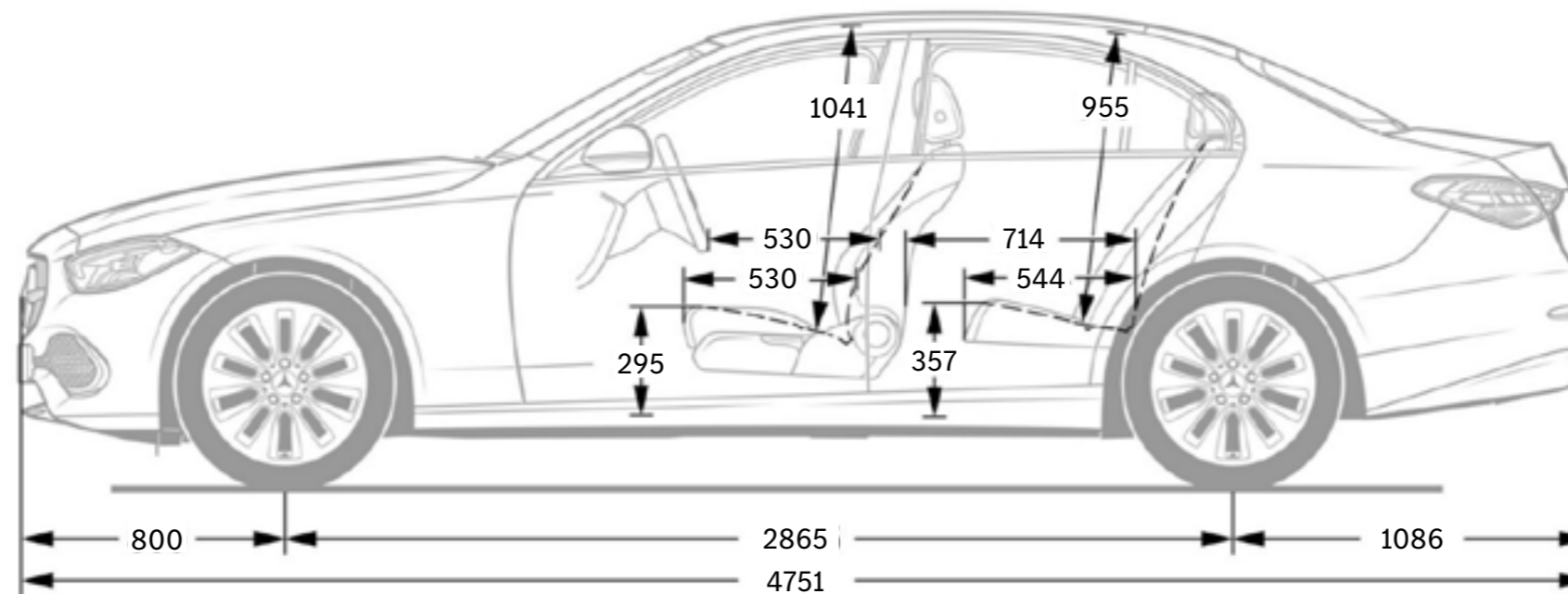
C 200 and C 220d



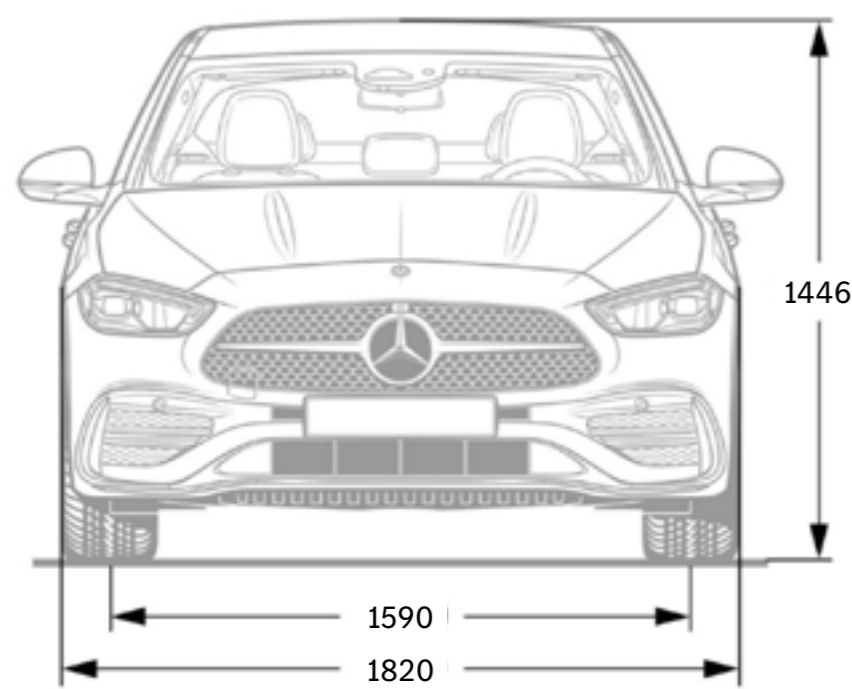
Rear



Side

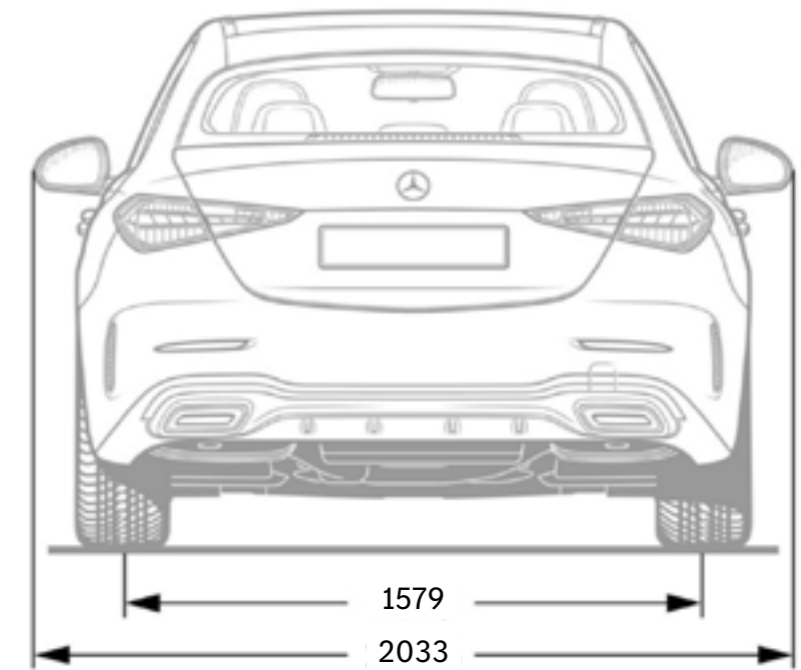


C 300d

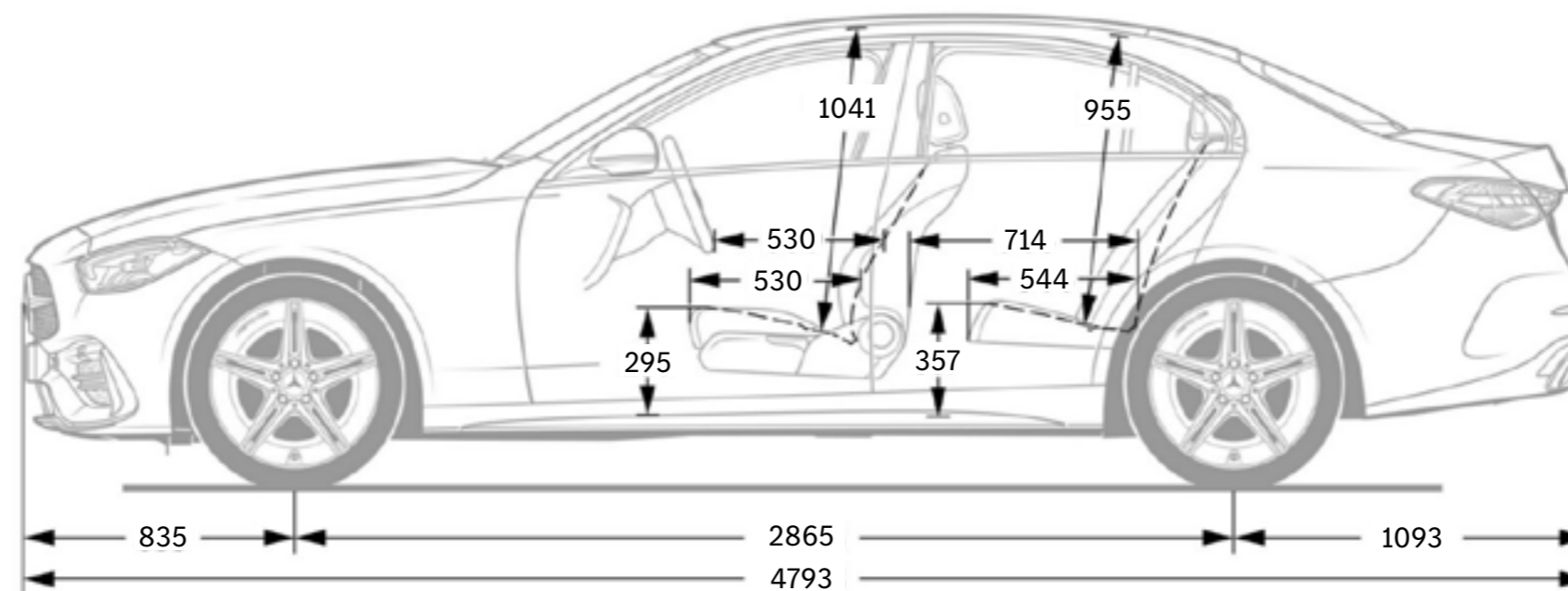


Front

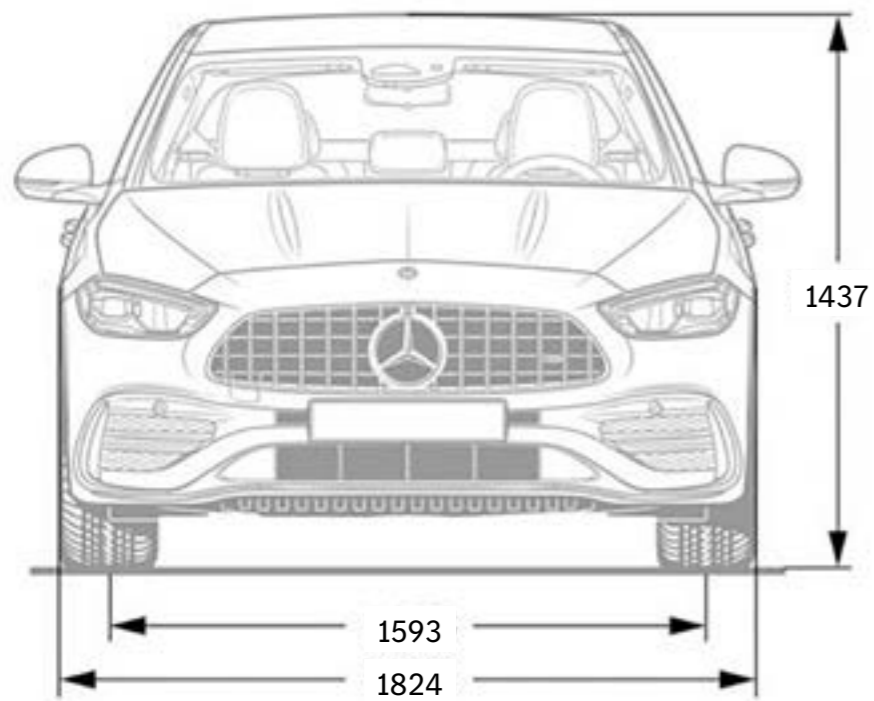
Rear



Side

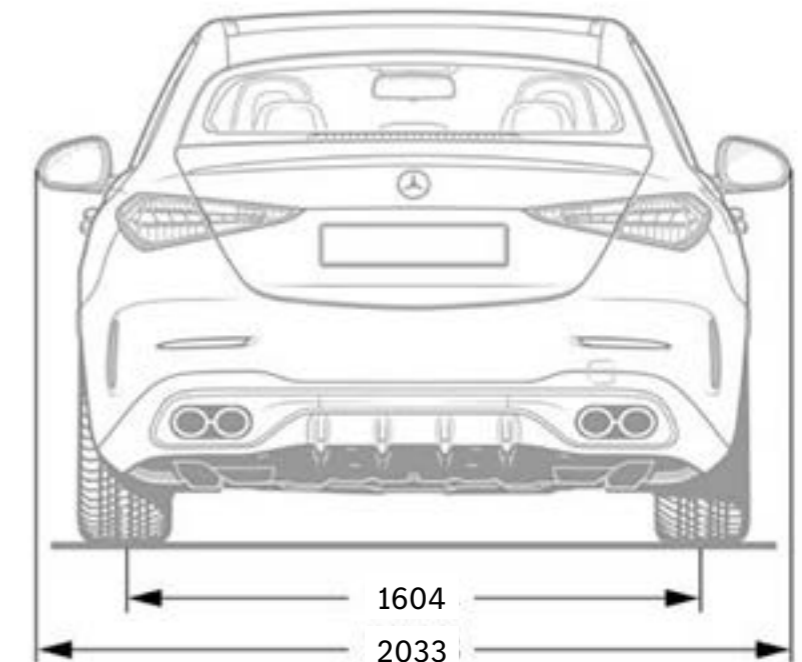


Mercedes-AMG C 43 4MATIC

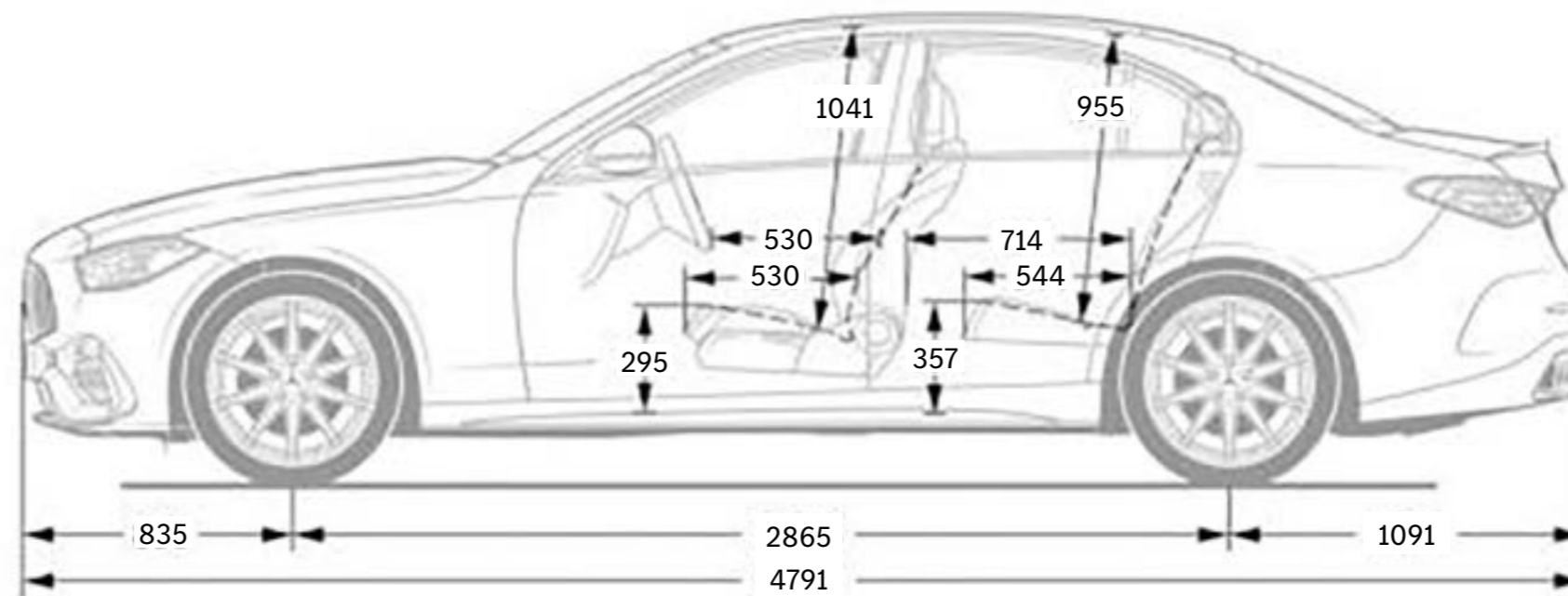


Front

Rear



Side





Mercedes-Benz Services

Advance Assurance Program

Extending your warranty coverage

With Advance Assurance Program, experience complete peace of mind. While this Extended Warranty Program kicks in the moment your standard 3 years warranty comes to an end, it can be extended further up to 6 years at a nominal price. Also, it comes with a bouquet of privileges for a worry-free time with your Star.

Star Ease

Delivering the best-in-class value

Servicing your Star does not get any better than this. With the STAR Ease Maintenance Packages, pay a defined cost of maintenance based on the model, contract period and mileage and say goodbye to spending on service every time. Plus, enjoy exclusive features like priority handling, shorter waiting time and quicker processes.

Mercedes-Benz Services

Mobilo

Providing you 24x7 mobility support

Your vehicle comes with Mobilo which provides round-the-clock on-road assistance service. Mobilo comes as a standard for 3 years and can be extended further up to 8 years at a nominal cost. This service offers privileges like vehicle towing facility, replacement vehicle, hotel accommodation, just to name a few.

Digital Service Drive

Ensuring convenience and transparency of service.

Servicing your Star is the last thing you will ever have to worry about. We provide transparent, convenient and hassle-free service. Our customer-friendly service features work around your busy schedule so that you have one less thing to focus upon.





Mercedes-Benz Services

Mercedes-Benz Genuine Parts**

Now with 2 years of warranty

Mercedes-Benz Genuine Parts are crafted to the state-of-the-art standards of Mercedes-Benz, protecting your vehicle's performance while maintaining the style, comfort and safety, for the years to come. Also, they come with a warranty of up to 2 years, ensuring you a peaceful ownership experience with your Star.

**Terms and Conditions apply.

Premier Express Prime*

Because we value your time as much as you do

Life gets busy and so we have designed Premier Express, our vehicle care service to help you get in and out quickly. While the visit will be brief, the service offered by our technicians will be comprehensive and complete. All to ensure your Mercedes-Benz is running for miles to come.

*Available at selected locations and will be expanded to more locations.

Mercedes-Benz Services

Mercedes-Benz Approved Tyres and Alloys

Ensuring every ride is a safe and joyful one

Maximise the safety and comfort of your Star with Mercedes-Benz approved tyres and rims. While the Mercedes-Benz approved tyres are designed to optimally match your car's performance, the Mercedes-Benz approved rims are designed to lend an exceptional style to the exterior of your Star and are also engineered for optimal performance.

Mercedes-Benz Genuine Chemical Products

Because your Star deserves nothing but the original

Mercedes-Benz Genuine Chemical Products are specially tested for compatibility with the materials in our cars and meet the high quality standards. Also, our products have been approved under Mercedes-Benz Group AG's strict, self-imposed environmental norms. Now with Mercedes-Benz Genuine Chemical Products, experience a whole new world of superior products that support throughout the car's life cycle.





Mercedes-Benz India Private Limited: E-3, MIDC Chakan - Phase III, Chakan Industrial Area, Kuruli & Nighoje, Tal: Khed, Pune - 410 501 (India) Toll free No.: 0008000501888. e-mail: cs.ind@cac.mercedes-benz.com, website: www.mercedes-benz.co.in Please note: This brochure is intended for general information, description and illustration of the Product including optional functions and equipment and may not be specific to a Product since specification of a product may change from time to time. Optional features, functions and equipment etc. may not be present in the Standard or Variant Product or Special Edition Product. Further, Standard specifications of a product may also vary from time to time. Colours may differ from those shown in pictures in the brochure. Mercedes-Benz India reserves the right to make changes without prior notice, in design, colours, materials, components, equipment, specifications, features, functions, make and models etc. The information given in this brochure shall be regarded as accurate at the time of launch and may vary thereafter due to any developments or any other reason. Interested customers should reach out to the Authorised Franchise Partner for further information on the exact specifications, features of the product.

Images shown are for representation purposes only. Some of the vehicles in the Brochure are left hand drive wheel. However, Mercedes-Benz India only manufactures and sells vehicles as per the applicable motor vehicle regulations in India. All vehicles sold by Mercedes-Benz Authorized Franchise Partners shall be with right hand drive wheels only. All title, ownership rights and intellectual property rights in and relating to this brochure/magazine or publication material or any copies thereof including but not limited to copyright, logos, names, trademarks, service marks, design, text, images, links, concepts and themes are owned by Mercedes-Benz Group AG and/or its subsidiaries collectively or used under authorised license by the Mercedes-Benz Group AG. Any reproduction, transmission, publication, performance, broadcast, alteration, license, creation of derivative works or other use in whole or in part in any manner without the prior written consent of Mercedes-Benz India Pvt. Ltd is strictly prohibited. Please note that certain services are offered free of cost for a period of three (03) years and may be chargeable at the expiry of three (03) years from the date of activation of such services. If you wish to continue using those services, you may renew the same through Mercedes Me Store (as and when it is available). Please get in touch with your preferred Franchise Partner for more details. Mercedes-Benz cars: The C-Class and the AMG C 43 meets Bharat Stage VI equivalent emission norms. CIN - U34102PN1994PTC083160