

MULTISTRADA 950



Index

Your ExtraOrdinary Journey	5
Multistrada 950 S: unlimited electronics and technology	7
Fun and versatile	9
Every road, a new world	11
Italian style, unmistakable design	13
The all-round engine	15
Versatile above all else	17
Ducati Skyhook: the right setting in all conditions	21
Electronics and control	23
Servicing and maintenance	25
Personalise the character of your Multistrada 950	27
Apparel	29
Technical dataand equipment	33
Accessories	43









Your Extraordinary Journey

The Multistrada 950 is the ideal bike with which to enjoy the beauty of travel each and every day, the combination of riding pleasure and versatility making it suitable for all types of use, from the city streets to winding mountain paths. Thanks to the 937 cc Testastretta 11° twin, the Multistrada 950 blends touring ability with sports performance. The contained weight and

840 mm seat height ensure agility and riding ease, while the technological package, which includes Cornering ABS, Vehicle Hold Control, turn signal auto-off and a hydraulic clutch, guarantees optimum safety and comfort in all conditions. The Multistrada 950 is also available as an S version, with full optionals and the most advanced Ducati technology.

A close-up photograph of a red motorcycle body panel. The panel is curved and features a silver and red badge that reads "MULTISTRADA 950 S". The "S" is larger and more prominent, with a red outline. The background is a solid red color with some black and grey mechanical parts visible at the top and bottom edges.

Multistrada 950 S: unlimited electronics and technology

The mid-size Ducati multi-bike is also available as an S version, offering maximum technology at the service of safety and riding pleasure. The electronic suspension with Ducati Skyhook Suspension Evo (DSS) system constantly adapts fork and shock response depending on road conditions to ensure maximum comfort, while the Ducati Quick Shift up & down (DQS) allows for up and downshifting without use of the clutch for smoother and more enjoyable riding. Standard equipment also includes: the full LED headlight with Ducati Cornering Lights, for perfect illumination of the road even through the turns; the Hands-Free system; Cruise Control, and backlit handlebar controls. The Multistrada 950 S features, as standard equipment, a 5" full-colour TFT display with an HMI (Human Machine Interface) designed to enable rapid and intuitive management of all bike systems.







Fun and versatile

The Multistrada 950 proves its mettle as a versatile bike able to put any rider at ease, even with a passenger and luggage. The 19" front wheel, in lightweight alloy or with spokes, the suspension with 170 mm travel, and the double-sided swingarm all contribute to ensuring increased comfort and great agility. The engine, with its fluid, regular delivery and now with hydraulic clutch and Ducati Quick Shift (as standard on the S version), make the Multistrada 950 the ideal choice for those who seek a touring bike but also want a taste of sports riding.



DUCATI

950S

Every road, a new world

The Multistrada 950 S colour range introduces the new “GP White” livery inspired by the MotoGP racing bike, which joins the classic Ducati Red version.

Based on a colour scheme that alternates between white and grey while maintaining the distinctive Ducati touch with some red accents on the frame and in the graphics on the alloy rims, this new version adds sports flair to the 950 S Multistrada, counting elegance, flow and the balance of lines among its strengths.





Italian style, unmistakeable design

The design of the Multistrada 950 harmoniously combines those style features typical of the Multistrada family. The result? Lines that are both compact and streamlined, sporty and elegant. That family feeling with the Multistrada 1260 Enduro can also be seen in the 19" front wheel, the tapered seat that allows any rider to move freely and easily touch the ground, as well as the rear grab handle and design of the exhaust and swingarm. The unmistakable front light, with its two horizontally-positioned elements, the two lateral wings and the 20-litre tank all contribute to the unique character of the Multistrada 950. Compact in size, the Multistrada 950 also transmits lightness in its lines, with new lightweight alloy rims, and spoked wheels, available for the S version.





DUCATI

Brembo



The all-round engine

Smooth, rich and always ready to respond thanks to a solid injection of torque at low and medium revs, the 937 cc Testastretta 11° twin combines sports performance with ease of use, delivering 113 hp of power and maximum torque of 9.8 kgm at 7,750 rpm. The Multistrada 950 is also equipped with a hydraulic slipper clutch, for safety and comfort on the road, whether on a long trip or the urban commute. The Ducati Quick Shift (DQS), available as an accessory for the Multistrada 950 and as standard on the S version, allows for clutch-free up and downshifting, which makes the Multistrada 950 fun when it comes to sports use and practical in the city, where gear shifting is more frequent. The Testastretta 11° boasts significant maintenance intervals, thanks to continuous technological research by Ducati and the use of cutting-edge materials. The main Desmo Service is to be carried out every 30,000 km in fact, while an Oil Service is envisaged every 15,000 km.





Versatile above all else

On the Multistrada 950, the front trellis frame comprising large-diameter steel tubing of reduced thickness is combined with two lateral aluminium sub-frames that ensure lightness and increased stiffness. The lightweight alloy wheels, 19" at the front and 17" at the rear, have been especially created to offer excellent handling and deal with any rough road surfaces. As an alternative, on the S version, spoked wheels of the same size are available. The double-sided swingarm is cast in aluminium and has been streamlined travel that effectively absorbs any irregularities in the road surface while maintaining the 840 mm seat height, so very accessible. The bike's versatile character is also confirmed with the tail section that integrates the aluminium sub- frame, passenger grab handle and the side pannier bracket.





Ducati Skyhook: the right setting in all conditions

The Multistrada 950 S is equipped as standard with Ducati Skyhook Suspension Evo (DSS) semi-active electronic suspension that continuously adjusts fork and shock damping to instantaneously adapt suspension response to the road surface. The system thus allows for one constant setting to be retained over any surface, minimising any swaying of the bike and significantly increasing levels of comfort and safety.

The DSS Evolution system allows for the practical and rapid altering of the suspension setting with the selection of a Riding Mode (Touring, Sport, Urban or Enduro) and a load condition: single rider, rider with luggage, rider with passenger or rider with passenger and luggage. It is also possible to intervene on the fork and shock separately, adjusting them according to requirements.

The result: more than 400 possible parameter combinations. Adjustment is easily managed using the backlit handlebar controls and large 5" colour TFT display thanks to the HMI (Human Machine Interface), redesigned so as to be aesthetically attractive and intuitive to use, and to allow for precise management of all bike systems.







Electronics and control

The Ducati Safety Pack, which includes ABS and Ducati Traction Control (DTC), is even more efficient on the Multistrada 950 thanks to the introduction of the 6-axis IMU that, among other things, has allowed for the application of the ABS Cornering function. This results in increased safety through the turns, as well as enhanced braking capacity in any situation. Vehicle Hold Control (VHC) is ideal for hill starts, even with a full load or passenger. The Multistrada 950 is equipped with a combined front and rear braking system (Electronic Combined Braking System). This system increases braking stability and effectively distributes braking power between the front and rear. ABS Cornering can be adjusted according to three intervention levels, while there are eight Ducati Traction Control levels which act to adjust any sliding of the rear wheel, ensuring considerably heightened performance and, above all, greater active safety.



Servicing and maintenance

Safety as standard

The continuous work that Ducati carries out in terms of design, research and development serves to ensure cutting-edge bikes characterised by maximum active safety levels. A commitment that involves the definition of increasingly advanced technological systems to increase the rider's level of control, such as the Ducati Safety Pack (DSP) that, for the Multistrada 950, includes Cornering ABS and Ducati Traction Control (DTC). Equipment that optimises the bike's dynamic performance in both braking and acceleration, and that offers numerous levels of adjustment with three different intervention levels for the Cornering ABS and eight for the Ducati Traction Control (DTC).

Choose your Multistrada and begin your adventure!

Ducati now offers you a four-year warranty on all models in the Multistrada MY 2020 family. Created to satisfy a desire for unlimited, uncompromised travel, the Multistrada offers the ultimate in terms of technology, performance and design. Characteristics that are combined with rider and passenger comfort to promote one unique goal: ever-increasing mileage. A warranty made possible thanks to the experience of Ducati and its dealer network. The competent and continuously trained team affords every bike the same care and attention with which it is designed and assembled in Borgo Panigale, to ensure that your only thought when riding the Multistrada is your next destination.

To find out whether 4Ever Multistrada is available in your country and receive more details, visit your local Ducati dealer or visit ducati.com

Endless excitement

In designing each bike, Ducati constantly strives to ensure maximum reliability while reducing service costs. A commitment that has seen the intervals for the main Desmo Service, in which valve clearance is checked and adjusted if necessary, to be extended to 30,000 km for the Multistrada 950. Even the simplest of checks, such as the Oil Service, are extended to 15,000 km or 12 months.

A considerable interval for such high-performance engines, which only confirms the high quality standards adopted in terms of material selection and R&D processes. Ducati continuously invests in the technical training of its dealers.

The specific skills offered by the official Ducati Service network ensure that all those operations needed to keep every Ducati in perfect condition are thoroughly executed, while advanced equipment such as the Ducati Diagnosis System allows the software on each Ducati to be updated with the latest releases, ensuring that the electronics continue to perform at the highest level.



4|Ever
Multistrada



*Equal to 18,000 miles.

Always by your side

One of Ducati's main goals is to offer every Ducatista the chance to enjoy unlimited and safe travel all over the world. To achieve this aim, Ducati offers a "fast delivery" original spares service, with delivery in 24/48 hours across 85% of the areas in which it operates. With a distribution network that covers more than 86 countries, thanks to 718 official Dealers and Service Points*, choosing a Ducati means you can travel worry free and in total freedom, wherever the road may take you, and count on support from our extensive Dealer network that ensures Ducati quality and professionalism is always close at hand.

718 Authorised dealers and service points

86 World countries

*Information updated as of July 2019





Personalise the character of your Multistrada 950

Whether you are experiencing the excitement of a long-range journey, demonstrating that sports nature that characterises every Ducati, taking on an off-road route when the asphalt comes to an end or dealing with city traffic during the daily commute, the Multistrada 950 has an accessories package to suit every situation. Inspired by the four Riding Modes, four accessories packages have been developed, each accentuating one of the bike's four souls: Touring, Sport, Urban and Enduro. Four solutions that add to the versatility of the Multistrada 950, while the various kits can also be combined for increased personalisation.



Apparel

Strada C4

Giacca e pantaloni in tessuto

Strada C4

Giacca e pantaloni in tessuto donna

Ducati Horizon

Casco modulare

Ducati Apparel Collection designed by *Drudi Performance*







Tour C3
Fabric jacket

Tour C3
Fabric trousers

Ducati Horizon
Flip-up helmet

Shield
Short-sleeved polo shirt

77
Short-sleeved polo shirt

Red Shock
T-shirt woman

Company C3
Technical jeans

Redline
Sneakers



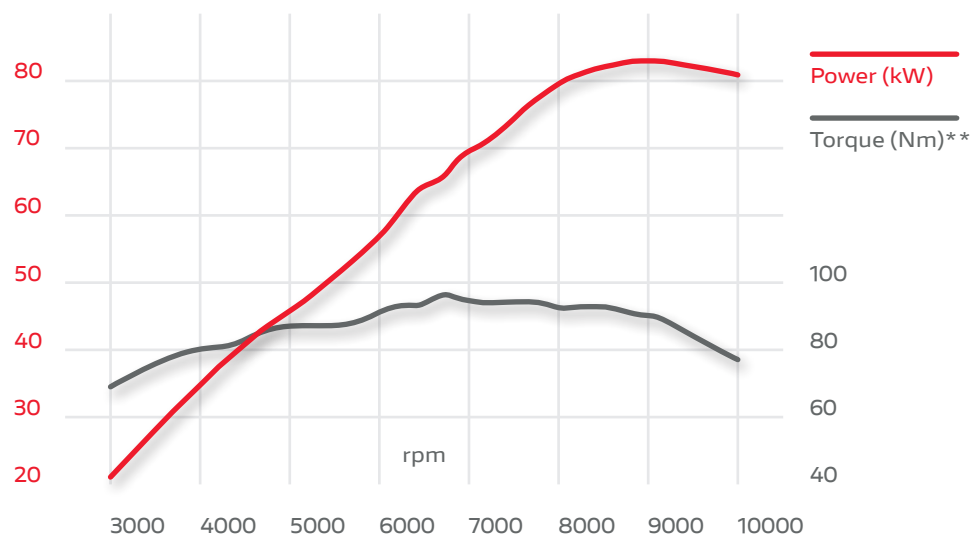
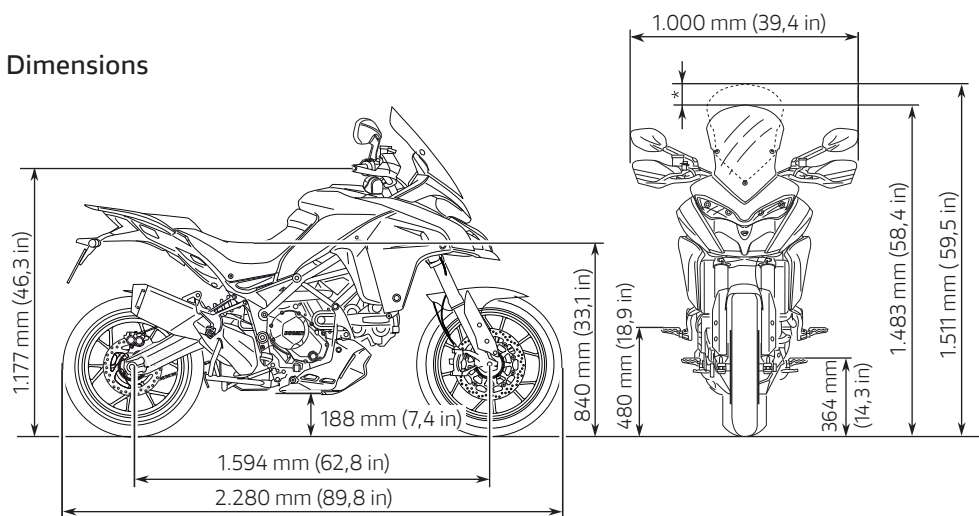




Technical data and equipment

MULTISTRADA 950

Dimensions



Engine

Engine	Ducati Testastretta, L-Twin, Desmodromic timing, 4 valves per cylinder, liquid-cooled
Displacement	937 cc
Bore X stroke	94 x 67.5 mm
Compression ratio	12.6:1
Maximum power	113 hp (83 kW) @ 9,000 rpm
Maximum torque	71 lb-ft (9.8 kgm, 96 Nm) @ 7,750 rpm 69 lb-ft (9.6 kgm, 94 Nm) @ 6,750 rpm**
Fuel injection	Electronic fuel injection system, Ø 53 mm throttle bodies with Ride-by-Wire system
Exhaust	Stainless steel single muffler, Catalytic converter and 2 lambda probes

Transmission

Gearbox	6 speed
Primary drive	Straight cut gears, ratio 1.84 : 1
Ratio	1=37/15, 2=30/17, 3=28/20, 4=26/22, 5=24/23, 6=23/24
Final drive	Chain, Front sprocket Z15, Rear sprocket Z43
Clutch	Slipper and self-servo wet multiplate clutch with hydraulic control

Chassis	
Frame	Tubular steel Trellis frame
Front suspension	Ø 48 mm fully adjustable USD fork
Front wheel	Cast light alloy 3.0" x 19"
Front tyre	Pirelli Scorpion Trail II 120/70 ZR19
Rear suspension	Progressive with fully adjustable single shock, remote preload adjustment, double-sided aluminium swingarm
Rear wheel	Cast light alloy 4.5" x 17"
Rear tyre	Pirelli Scorpion Trail II 170/60 ZR17
Wheel travel (front/rear)	170 mm - 170 mm
Front brake	2 x Ø 320 mm semi-floating discs, radially mounted Brembo monobloc 4-piston callipers, radial master cylinder, Cornering ABS
Rear brake	Ø 265 mm disc, Brembo 2-piston floating calliper, Cornering ABS
Instrumentation	LCD Display
Dimensions and Weights	
Dry weight	204 kg (450 lb)
Kerb weight	227 kg (500 lb)

Dimensions and Weights	
Seat height	840 mm (33.1 in) (820 mm - 860 mm, 32.3 in - 33.9 in with accessory seats)
Wheelbase	1,594 mm (62.8 in)
Rake	25°
Front wheel trail	106 mm (4.25 in)
Fuel tank capacity	20 l (5.3 US gal)
Number of seats	2

Safety Equipment

Ducati Safety Pack: Bosch Cornering ABS, Ducati Traction Control (DTC). Riding Modes, Power Modes, Vehicle Hold Control (VHC)

Standard Equipment

Self cancelling turn indicators

Ready for

Ducati Quick Shift up/down (DQS), Ducati Multimedia System (DMS), Anti-theft system

Warranty

24 months (48 months*) / Unlimited mileage

Maintenance	
Maintenance service intervals	15,000 km (9,000 miles) / 12 months
Valve clearance adjustment	30,000 km (18,000 miles)

Emissions & Consumption**

Standard	Euro 5
CO ₂ Emissions	134 g/km
Consumption	5,8 l / 100 km

*Only for countries where the 4ever Multistrada warranty applies. 4Ever Multistrada is available for Multistrada bikes purchased from all authorised Ducati dealers in the following countries: Albania, Andorra, Austria, Belgium, Bosnia, Bulgaria, Croatia, Cyprus, Czech Republic, Denmark, Estonia, Finland, France, Germany, Greece, Hungary, Iceland, Ireland, Italy, Kosovo, Latvia, Liechtenstein, Lithuania, Luxembourg, Macedonia, Malta, Monaco, Montenegro, Norway, Netherlands, Poland, Portugal, Romania, San Marino, Serbia, Slovakia, Slovenia, Spain, Sweden, Switzerland, United Kingdom.



Equal to 18,000 miles

Desmo Service also includes valve clearance inspection and adjustment.

** Only for countries where Euro 5 standard applies.

MULTISTRADA 950S

	Multistrada 950	Multistrada 950 S	Multistrada 950 S Spoked wheels
Front suspension	Ø 48 mm fully adjustable USD fork	Ø 48 mm fully adjustable USD fork, Electronic compression and rebound damping adjustment with Ducati Skyhook Suspension Evo (DSS)	Ø 48 mm fully adjustable USD fork, Electronic compression and rebound damping adjustment with Ducati Skyhook Suspension Evo (DSS)
Rear suspension	Progressive with fully adjustable single shock, remote preload adjustment,	Fully adjustable monoshock, Electronic compression, rebound damping and spring pre-load adjustment with Ducati Skyhook Suspension Evo (DSS),	Fully adjustable monoshock, Electronic compression, rebound damping and spring pre-load adjustment with Ducati Skyhook Suspension Evo (DSS),
Ducati Quick Shift up/down (DQS)	Accessory	Standard	Standard
Wheel	Cast light alloy	Cast light alloy	Tubeless spoked wheel
Instrumentation	LCD display	5" TFT colour display	5" TFT colour display
Hands Free system	-	Standard	Standard
Backlit handlebar controls	-	Standard	Standard
Cruise Control	-	Standard	Standard
Full-LED headlight	-	Standard	Standard
Ducati Cornering Lights (DCL)	-	Standard	Standard
Dry weight	204 kg (450 lb)	207 kg (456 lb)	212 kg (467 lb)
Kerb weight	227 kg (500 lb)	230 kg (507 lb)	235 kg (518 lb)



1 Tubeless spoked wheel



2 5" TFT colour display

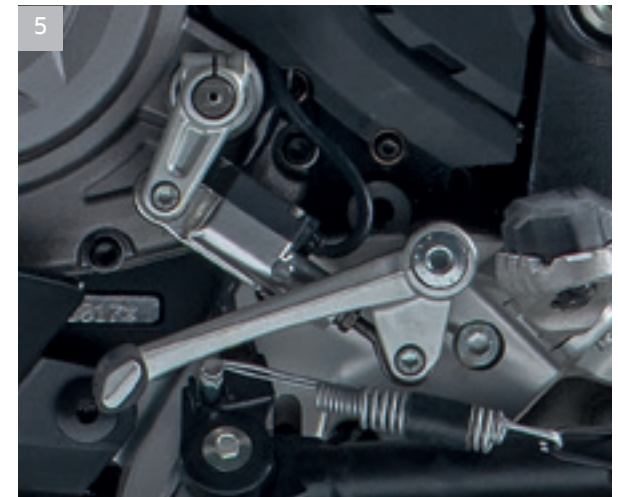


3 Full-LED headlight



4 Backlit handlebar

5 Ducati Quick Shift up/down (DQS)



MULTISTRADA 950

Bodywork: Ducati Red





MULTISTRADA 950S

Bodywork: Ducati Red



MULTISTRADA 950S

Bodywork: GP White



MULTISTRADA 950S

Bodywork: Ducati Red
Outfitting: Spoked wheels



MULTISTRADA 950S

Bodywork: GP White
Outfitting: Spoked wheels







Accessories



For more information about the accessories range, technical specifications and instructions, visit a Ducati Dealer or the Accessories section of the [ducati.com](https://www.ducati.com) site.




1 Titanium silencer



2 Tank pocket bag



3 LH aluminium rear-view mirror   

5 Rear brake disc guard



4 Billet aluminium water pump cover





1 Plastic top case



2 Center stand

3 Steel footpegs



3 Gran Turismo windscreen



5 Carbon ignition switch cover.



6 Carbon number plate holder cover

Key to symbols

OK This accessory is approved for road circulation in Europe.

EU Europe.

OKEU4 Type-approved silencer according to Regulation (EU) No. 168/2013 of 15/01/2013

USA USA.

A Anodized

 Red

SWS Star White Silk

M Matt

 Black

IW Iceberg White

F Tinted

 Silver

GG Glossy Gray

VG Vulcan Gray



ducati.com

Riding a motorcycle is the most exciting way to enjoy the road, and offering the utmost safety to the motorcyclist is Ducati's commitment. Ducati bikes are increasingly easy to handle, reliable and better equipped to guarantee maximum safety and enhance riding pleasure. Technical clothing is made with more and more advanced materials for adequate protection and increased visibility. The safety of motorcyclists is Ducati's commitment. For more information visit the safety section of the Ducati site (www.ducati.com).

Warning: The photos and technical information in this catalogue may refer to prototypes subject to modifications during production and are purely for illustration and reference purposes, and are therefore not binding on Ducati Motor Holding S.p.A. Sole Shareholder Company - Company subject to the direction and coordination of AUDI AG ("Ducati"). Ducati cannot be held responsible for any print and/or translation errors. This catalogue is transnational and therefore some products may not be available and/or their features may vary in accordance with local laws. Not all colours and versions are available in each country. Ducati reserves the right to make changes and improvements to any product without obligation of prior notice or to make such changes to products already sold. Further characteristics of the products are contained in the pertinent owner's manuals. The products represented are not definitive versions and are therefore subject to significant changes at Ducati's discretion without prior notice. The photographs published in this catalogue show only professional riders under controlled street conditions. Do not attempt to imitate such riding behaviour as it could be dangerous for you or other people on the road. This catalogue, including but not limited to the trademarks, logos, texts, images, graphics and table of contents herein, constitute Ducati intellectual property, or in any event Ducati has the right to reproduce it; any reproduction, modification or other whole or partial use of the catalogue or its contents, including publication on the Internet without the prior written consent of Ducati, is prohibited.

Actual fuel consumption may vary based on many factors, including but not limited to riding style, maintenance performed, weather conditions, surface characteristics, tyre pressure, load, weight of the rider and the passenger, accessories.

Ducati indicates the dry weight of the motorcycle excluding battery, lubricants and coolants for liquid-cooled models. The weights in running order are considered with all operating fluids, standard equipment and the fuel tank filled to 90% of its useful capacity (UE regulation no. 168/2013). For more information visit www.ducati.com. July 2020



Developed with



Technical partner

